



WIŚNIEWSKI



Garage doors
SECTIONAL



For the last three decades, we have been working in accordance with the idea of the founder of the WIŚNIEWSKI brand, Andrzej Wiśniowski, who made it his goal to create innovative products addressing all of our customers' needs. We want your home to be secure and comfortable. Taking advantage of our 35 years of experience in the production of garage doors, gates, windows, doors, and fences, we offer our customers top quality products. We know what a modern home needs and what challenges the household may face. Currently, our production hall spanning 270,000 square metres manufactures thousands of garage doors, gates, windows, doors, and fences every day. At the same time, we are also able to customize the products to meet our customers' requirements. Everyone has different needs and expectations, which is why when manufacturing our products, we focus on listening to what you have to say. Meet the WIŚNIEWSKI brand - enter the world of comfort and security.



GARAGE DOORS **SECTIONAL**

GENERAL OVERVIEW	4 - 15
UNIPRO	14 - 17
UNITHERM	18 - 23
PRIME	24 - 35
RENOVATION SOLUTIONS	36 - 43
AVAILABLE VERSIONS	44 - 71
INSPIRATION	72 - 84
TECHNICAL INFORMATION	85 - 102
LOOKING FOR DIFFERENT SOLUTIONS?	103 - 111

www.wisniowski.com





Welcome to the world of **WIŚNIEWSKI** garage doors

Choose one of our sectional, up and over, roller or double leaf garage door solutions. This **diversity** is our response to the requirements of our customers. Let us surprise you with the multitude of options. We present to you the **classy, safe, and functional** sectional garage doors by WIŚNIEWSKI.



CHOOSE A SECTIONAL DOOR



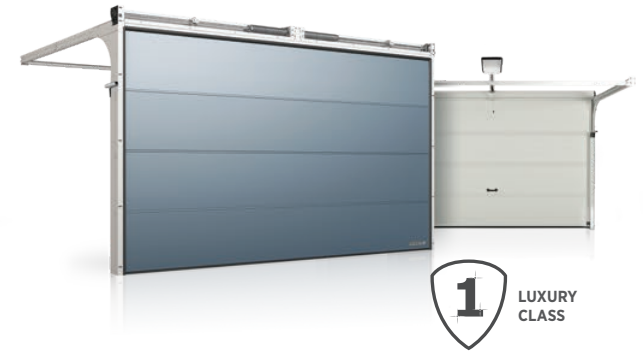
UniPro

- Torsion spring system designed for **25,000 cycles**⁽¹⁾⁽²⁾
- **Galvanized** construction
- Panel: **40 mm**
- Panel heat transfer coefficient⁽³⁾
Up = 0.48 W/m²K
- Rollers **with bearings**



UniTherm

- Torsion spring system designed for **25,000 cycles**⁽²⁾
- **Galvanized** construction (optionally coated)
- Panel: **INNOVO 60 mm**
- Panel heat transfer coefficient⁽³⁾
Up = 0.33 W/m²K
- **Double** rollers **with bearings**
- **Flexible** panel **joint covers**
- **Double** bottom **gasket**



PRIME

- Torsion spring system designed for **25,000 cycles**⁽²⁾
- **Galvanized and painted** construction
- Panel: **INNOVO 60 mm**
- Panel heat transfer coefficient⁽³⁾
Up = 0.33 W/m²K
- **Double** rollers with bearings
- **Flexible** panel **joint covers**
- **Double** bottom **gasket**
- **Protection system** for mechanical elements
- **Modern automatic operating units** with high standard accessories

⁽¹⁾ - Spring system designed for 20,000 cycles.

⁽²⁾ - One cycle includes one opening and closing of the door. With four cycles a day, the garage door is guaranteed up to over a dozen years of reliable operation.

⁽³⁾ - U factors of the door depending on the dimensions are specified in the table on page 85.

The factors are provided for doors without glazing, wicket doors, ventilation grilles, aluminium panels, and additional thermal gaskets.



Low ribs



V ribs



High ribs



No ribs



Caisson ribs

UniPro

Woodgrain	RAL 7016, RAL 8014, RAL 9006, RAL 9016, other RAL*, Golden Oak, Nut Brown	—	RAL 7016, RAL 8014, RAL 9006, RAL 9016, other RAL*, Golden Oak, Nut Brown	RAL 7016, RAL 8014, RAL 9006, RAL 9016, other RAL*, Golden Oak, Nut Brown	RAL 9016, other RAL* Golden Oak
Smoothgrain	—	—	Golden Oak, Nut Brown, 42 film coatings	Golden Oak, Nut Brown, 42 film coatings	—
Sandgrain	—	—	Anthracite	Anthracite	—
Silkline	RAL 7016, other RAL*	RAL 7016, RAL 9006, other RAL*	RAL 7016, RAL 9005, RAL 9016, other RAL*	RAL 7016, RAL 9005, RAL 9016, other RAL*	—
Home Inclusive 2.0	18 colors	—	18 colors	18 colors	—

UniTherm

Smoothgrain	—	—	Golden Oak, Nut Brown, 42 film coatings	Golden Oak, Nut Brown, 42 film coatings	—
Sandgrain	—	—	Anthracite	Anthracite	—
Silkline	—	—	RAL 7016, RAL 9016, other RAL*	RAL 7016, RAL 9016, other RAL*	—
Home Inclusive 2.0	—	—	18 colors	18 colors	—

PRIME

Smoothgrain	—	—	Golden Oak, Nut Brown, 42 film coatings	Golden Oak, Nut Brown, 42 film coatings	—
Sandgrain	—	—	Anthracite	Anthracite	—
Silkline	—	—	RAL 7016, RAL 9016, other RAL*	RAL 7016, RAL 9016, other RAL*	—
Home Inclusive 2.0	—	—	18 colors	18 colors	—

* The garage door leaf can be painted in RAL colours – only for garage doors with Woodgrain and Silkline structure (excluding pearlescent, reflective, and metallic finish, as well as special colours)

Form and **function**

Sectional garage doors by WIŚNIEWSKI are manufactured using two types of panels:

- 40 mm panel for UniPro garage doors,
- INNOVO 60 mm panel for PRIME and UniTherm garage doors.

All our panels are manufactured in the WIŚNIEWSKI facility using state-of-the-art technological lines which ensure high quality and repeatability at each stage of the manufacturing process.

High technical parameters and reliable corrosion protection are obtained thanks to the use of high grade, galvanized steel with paint or film coating.

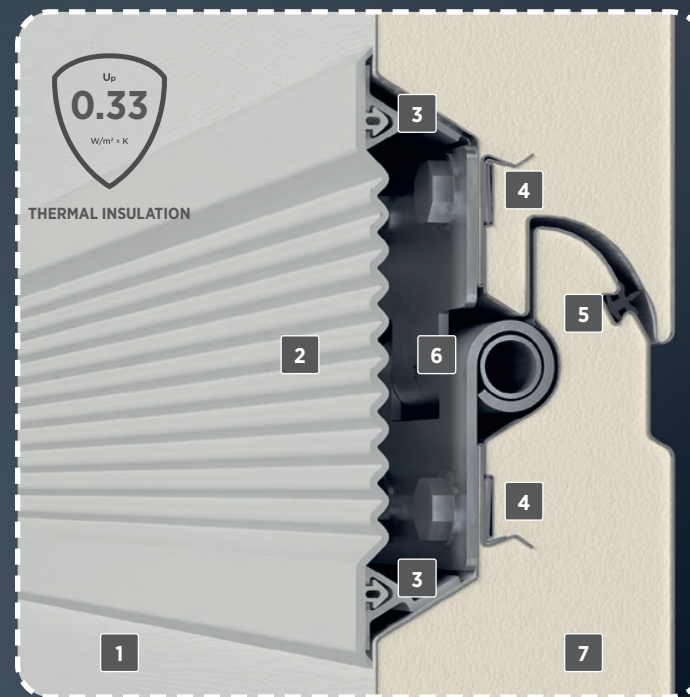
The stiff polyurethane foam core ensures optimum strength for the panels and improves their thermal insulation.

Special solutions, such as the 5-layer sheet bending system ensures stable fastening of elements, which further increases the strength of our design.



PANEL
40 mm

PANEL
INNOVO
60 mm



UniPro garage door

PRIME, UniTherm garage door

1. Closed panel construction.
2. Flexible panel joint cover.
3. Aluminium profile for fastening flexible covers.
4. Five sheet layers at the hinges.
5. Panel joint seal.
6. Concealed hinge.
7. Polyurethane foam.



GREEN LIGHT

we give a better future the green light



Energy from our own sources

We generate our own energy! An 8,000 m² solar panel system with a capacity of over 1 MW makes it possible to obtain solar energy to produce electricity covering 1/6 of the plant's daily demand. We installed the panels on our proprietary structure.



Production automation

Modern production lines reduce production idle time to the minimum. Actuating systems not taking part in the manufacture of the current product batch are automatically disconnected from power supply.



Good practices

We have extended the time of use of galvanizing baths, reducing pollution emissions. On the powder coating line, we recover 100% of the used powder. By reusing water in the coating and galvanizing processes, we save 10,000 m³ a year.

Products **created responsibly**

Energy labels

We have nothing to hide! In order to clearly define the energy performance of our garage doors, we use the labelling system of the prestigious European Door and Shutter Federation.

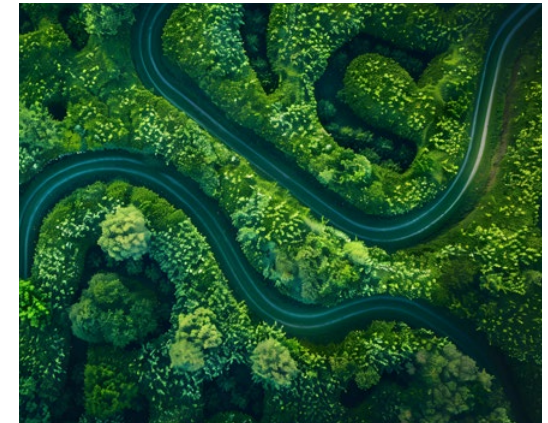


Green Devices and Materials List

Our products are recommended by the Institute for Environmental Protection. The UniPro, UniTherm, and PRIME sectional garage doors were included on the “Green Devices and Materials” list (lista-zum.ios.edu.pl)

Environmental Product Declaration

We have checked the carbon footprint of our garage doors! The EPD enables you to make informed consumer decisions, increasing the number of points in the green building certification process in well-known programmes such as: BREEAM, LEED, and others.



You don't need to **take our word for it**

Our commitment to the planet is demonstrated by prestigious partnerships and certifications.



See our campaign for the climate
– discover Green Light



Thinking about your comfort and safety



Our garage doors meet the stringiest safety standards, which is certified by the **Declaration of Performance – the CE mark.**

High safety standards are ensured thanks to the use of a number of technological solutions, such as special panel shape, safety brakes, an integrated spring break safety system, and rollers with bearings.



RC2 anti-burglary safety kit



Garage doors with the METRO Smart io or MOTO io drive unit, fitted with the RC2 burglary kit have a certificate issued by the IFT Rosenheim Institute (Germany) which confirms compliance with the DIN/TS 18194:2020 standard.

The RC2 level burglary protection is confirmed by a certificate from the widely recognized IFT Institute, so you can rest assured that everything that is important to you is well protected.



A revolution in **thermal insulation**

The PRIME sectional garage doors are all about thermal insulation, which makes them a recommended choice for energy efficient and even passive buildings. PRIME is the answer whenever energy efficiency is a priority.

Thanks to thermally insulated panels and our sealing systems, we managed to eliminate heat loss in the most affected areas of the leaf in order to ensure parameters that allow sectional doors to maintain optimum temperature inside your garage.



Innovative solutions at your home

Independent lighting in the form of LED strips under the door tracks ensures an even higher comfort when using your garage. The LED lighting simply snaps into place without the need to do any work on the electrical installation or the walls. It is a great addition to new and already fitted garage doors.

UniPro.

Always universal.

UniPro combines precision manufacturing and attention to detail with the vast range of designs, structures, colours, and decorative motifs. This lets you match the UniPro garage doors with both modern and traditional buildings. Thanks to the multitude of design solutions, the UniPro garage doors are used in new buildings, as well as in renovated buildings where other types of garage doors were used in the past. At the same time, they remain fully functional and maintain the parameters required to close the garage, which makes them one of the most universal solutions among garage doors.



**STANDARD
CLASS**





WISNIEWSKI

UniPro.

Functionality and safety.

Safety is one of the most important factors in garage door use, and this is why apart from safe design, proper safeguards must be used to ensure that users are fully protected.





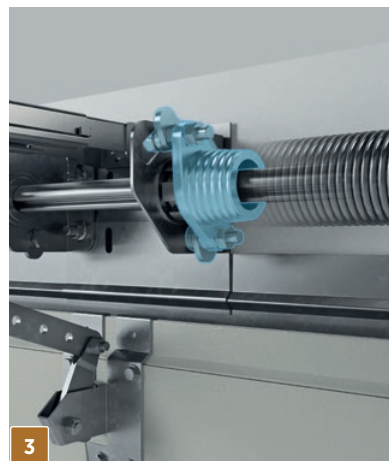
1

Special panel shape



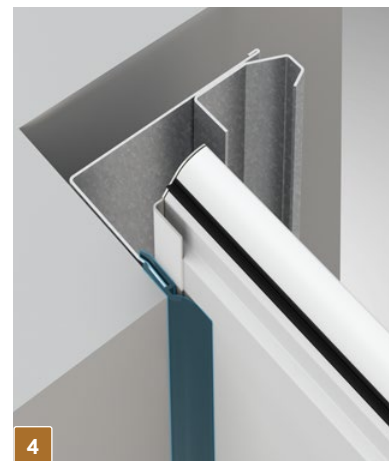
2

Spring break safety device – a standard accessory for doors with a door surface area of $\geq 9 \text{ m}^2$



3

Integrated spring break safety device



4

Double-lip circumferential seal



5

Overload safety device for automatic garage door



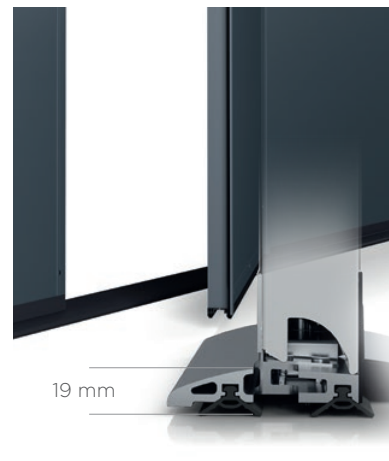
6

Photocells – option



7

Quiet guiding rollers



Low threshold in wicket door
(19 mm high)

UniTherm.

New standards.

The UniTherm garage door has a high resistance to wind load and water ingress and low air permeability. These parameters not only increase the life of the garage door, but also let it maintain its aesthetic qualities for many years to come. This innovative design solution ensures durability and safety, and at the same time remains functional in everyday use.



**PREMIUM
STANDARD**



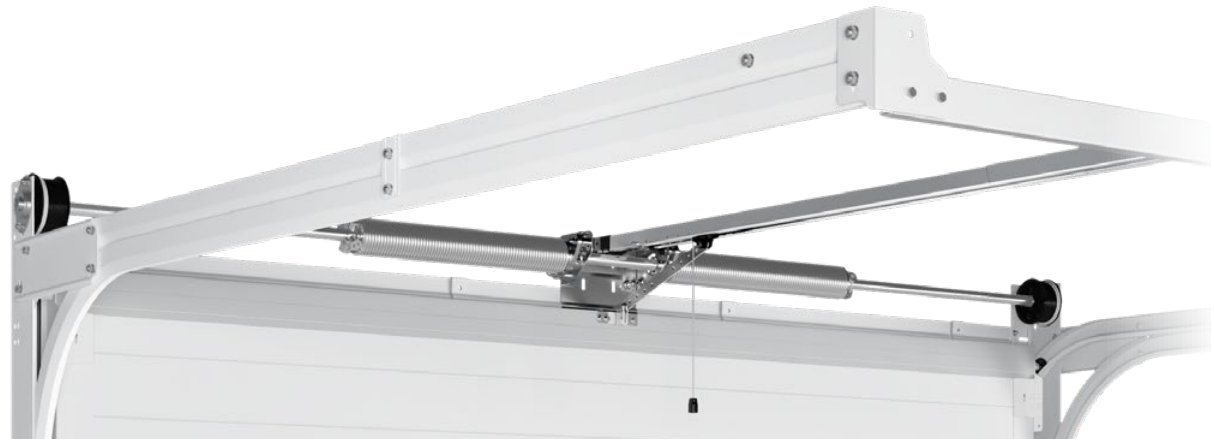


WIŚNIEWSKI

UniTherm.

Functionality and safety.

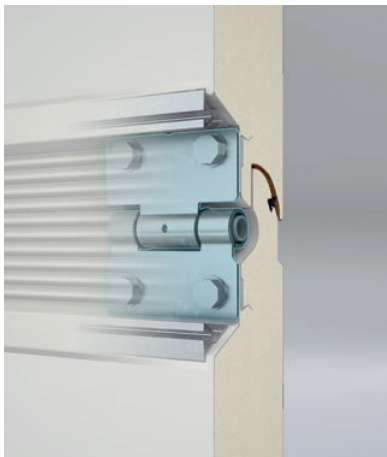
All the individual systems which make the garage door safe are interdependent and at the same time work in harmony with specific structural parts. For example, the inner covers at the panel joints and the safety brake. With a perfectly integrated drive system, UniTherm is a technological trendsetter which shows that quality and safety are inextricably linked here.



New possibilities for customization! Option to coat the UniTherm structure in RAL 9002.



SAFETY



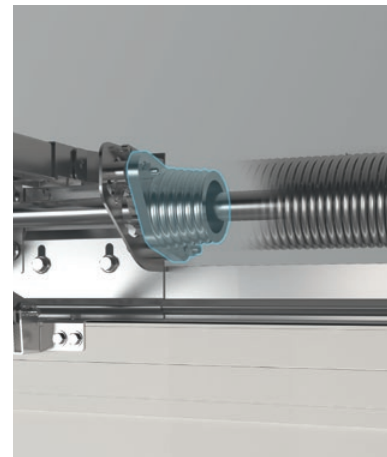
Quiet hinges



Safety brake prevents the leaf from dropping in case of cable damage



Overload safety device for automatic garage door



Integrated spring break safety device



Flexible panel joint covers



Double rollers with bearings



Safe panel shape



Photocells - option



UniTherm.

Efficient thermal insulation.

The UniTherm garage door was developed in response to the requirements of energy efficient buildings. It fully benefits from the thermal insulation properties of the INNOVO 60 mm panel and the sealing solutions. This means higher energy efficiency of your home, because heat losses are eliminated in the most affected areas of the garage door leaf.



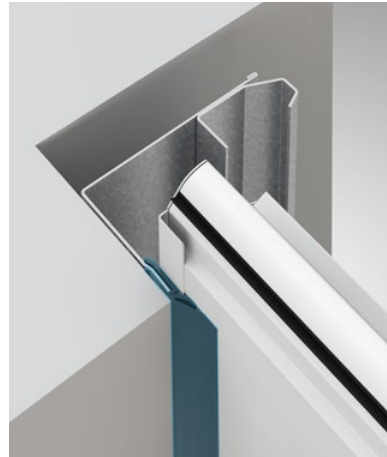
INNOVO panel

The unique design of the **60 mm** thick INNOVO panel ensures excellent thermal transmittance parameters. At the same time, it provides an ideal base for the door curtain structure. Special solutions, such as the 5-layer sheet metal bending system, ensure stable fastening of elements, which further increases the strength of the structure.

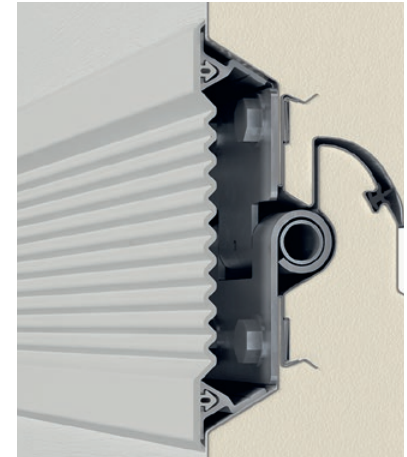
For the INNOVO panel, the thermal transmittance (U-value) is $U_p = 0.33 \text{ W/m}^2 \times \text{K}$.



Double bottom gasket



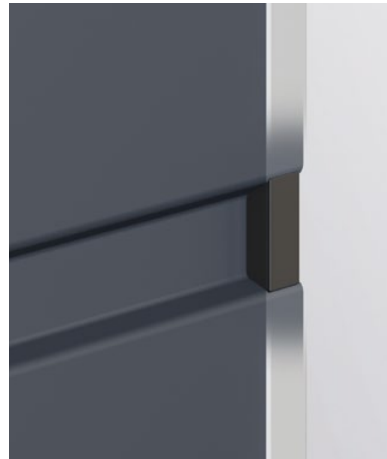
Double-lip circumferential seal



Panel joint seals



Warm threshold of a sectional garage door



Rib infill elements



Additional sealing in the top aluminum profile

PRIME.

A new generation of garage doors.

Imagine a new generation of garage doors. A garage door which is not just another way of putting all the available solutions together, but an effect of a search for balance between modern technology, quality, safety, and design. This is what the PRIME door is all about. An innovative garage door, perfected in every detail, which meets your demands before you can even define them. With this fully equipped automatic door, every time you reach for the remote control, you can be sure that you made the right decision. PRIME is unrivalled – its classic design is just a hint of what this ingenious garage door hides inside.

Be the first, be PRIME. Find out about the exceptional advantages of our unique PRIME garage door!



**EXCLUSIVE
CLASS**





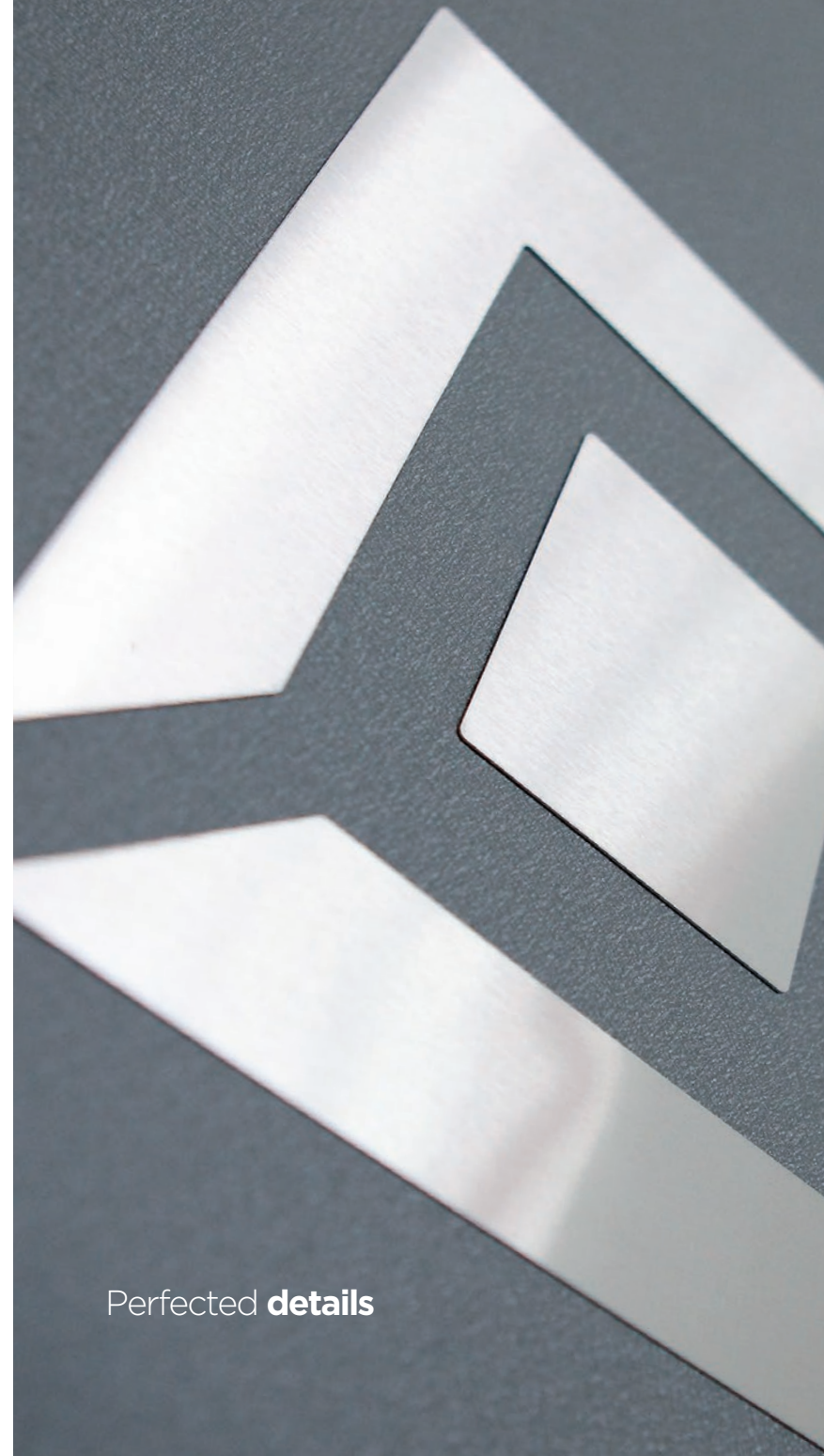
A new generation of sectional garage doors.
See the video and discover the PRIME door.



PRIME.

Perfect in every detail.

PRIME means design focused on elegant and timeless simplicity, breaking with the purely functional approach to the garage door design. We have designed PRIME with attention to every single detail, because perfection depends on details.



Perfected **details**



Exquisite **manufacturing**



Painted **elements of the construction**



PRIME.

A new definition of safety.

All the individual systems which make the garage door safe are interdependent and at the same time work in harmony with the structural parts. They include fixed guide covers, moving roller covers, an integrated spring and shaft cover, shaft and spring side covers, as well as flexible inner covers at panel joints.



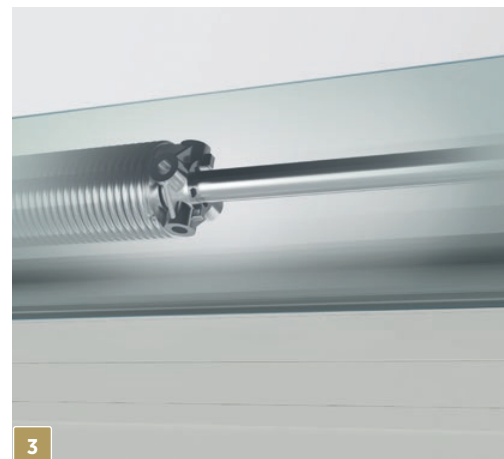
1

Flexible panel joint covers



2

Vertical guide covers



3

Integrated shaft and spring cover



4

Moving roller and guide covers



5

METRO Smart io - drive unit compatible with the TaHoma switch central control unit from Somfy. The drive rail is painted.



5

SPARK - drive unit controlled via the WIŚNIEWSKI Connected app. The drive rail is not painted.

PRIME.

An icon of safety.

PRIME does away with safety stereotypes. Not only is it a vision of a beautiful garage door, but also a reflection of our concern for safety. PRIME uses an end-to-end approach to safety and security. We used the technology not only to provide security, but most importantly to offer safety. The numerous advanced safeguards for structural parts and mechanisms help protect all the users and make your home this much safer. With a perfectly integrated drive system, PRIME is a technological trendsetter whose every detail shows that quality and safety are inextricably linked here.



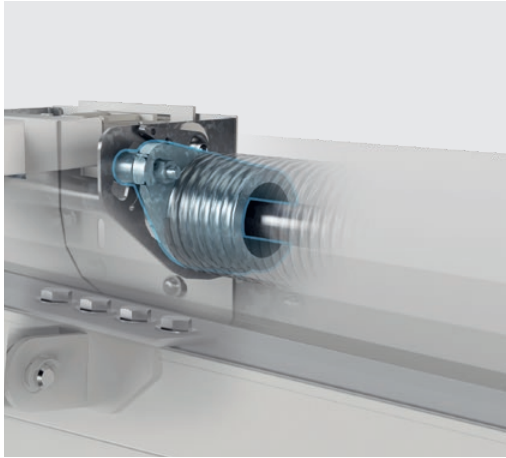
SAFETY



Photocells



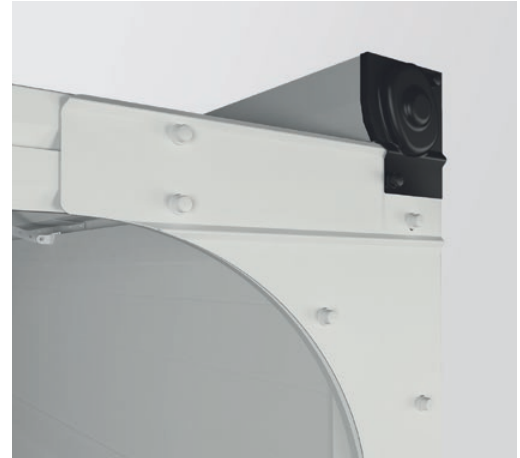
Safety brake prevents the leaf from dropping in case of cable damage



Integrated spring break safety device



Safe panel shape



Integrated shaft cover with side covers



Double rollers with bearings



Overload safety device

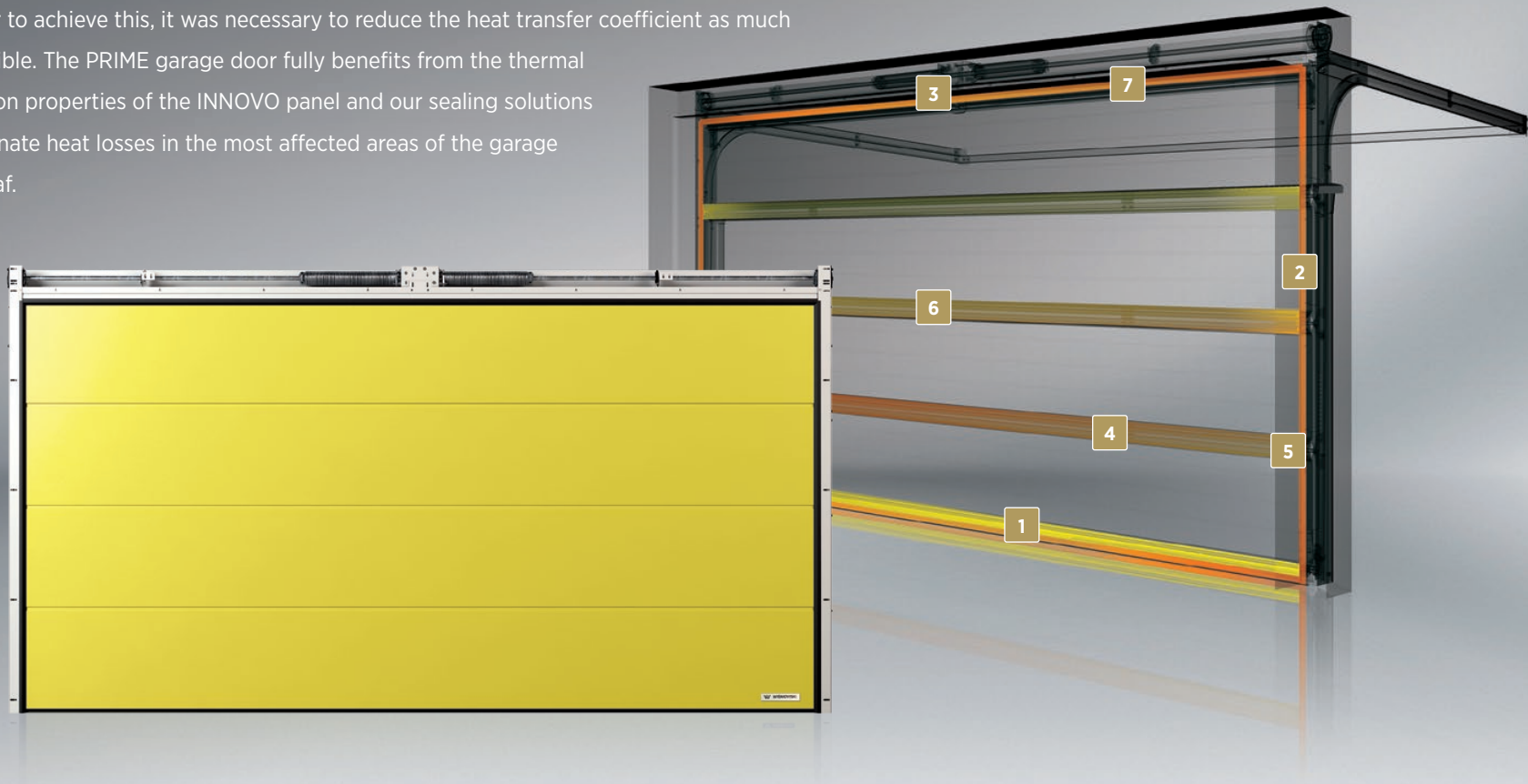


External optical sensors

PRIME. Major arguments for thermal insulation.

The PRIME garage doors are all about thermal insulation, which makes them a recommended choice for energy efficient and even passive buildings. PRIME answers the demand for maximum energy efficiency and minimum thermal losses in buildings.

In order to achieve this, it was necessary to reduce the heat transfer coefficient as much as possible. The PRIME garage door fully benefits from the thermal insulation properties of the INNOVO panel and our sealing solutions to eliminate heat losses in the most affected areas of the garage door leaf.





1
Double bottom gasket



2
Double-lip circumferential seal



3
Double-lip gasket in the fascia panel



4
Panel joint seals



5
Rib infill elements



6
Flexible panel joint covers



7
Additional sealing in the top aluminum profile

PRIME.

Two worlds of design.

Two faces of perfection. One standard – PRIME excellence. Style begins with choice. PRIME is a bold statement of design and comfort. Available in the most timeless colours – deep black and an elegant light shade of grey.

PRIME Black Edition. It is a unique garage door among those available on the market, featuring a black-painted interior. The elegant black hue with nearly unlimited leaf front colour and customization options makes it possible to create a design tailored to your needs and dreams.



DESIGN



A new take on garage doors.
Discover the PRIME Black Edition.



Renovation **solutions**

Renovation is all about adapting the functionality of the current building to the needs of its users. The aim of the refurbishment is usually to improve the aesthetic quality of the building.

Our renovation solutions let you install sectional garage doors in the garage opening regardless of the building conditions, even if the building has no lintel or side clearance. Enhance the functionality and the look of your garage with our renovation solutions.

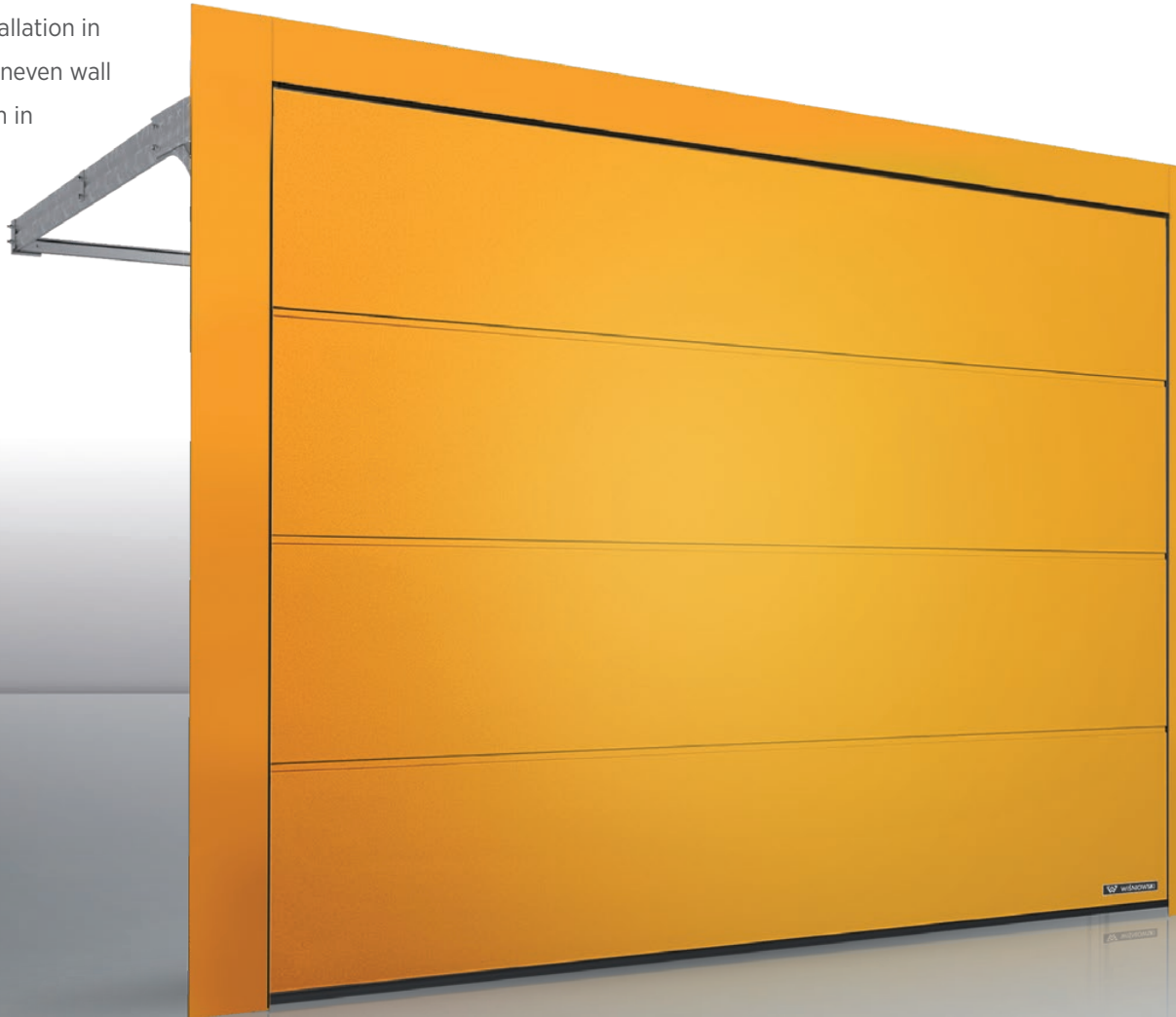




UniPro **RenoSystem**

The UniPro RenoSystem is our response to the needs of buildings intended for renovation.

The structure is made of door frames adapted for installation in openings without the lintel or side clearance or with uneven wall surface. This structure comprises a fascia panel system in the same colour as the door leaf, which ensures great appearance without the need for further finishing works.



UNIVERSAL
INSTALLATION

The RenoSystem solves a multitude of potential issues that could occur during the replacement of the garage door. The structure is mounted directly to the existing surfaces with a system of angle bars which, paired with fascia panels, take over the functionality of the missing wall elements.

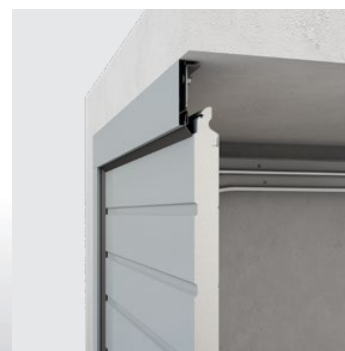


Installation using lintel



Installation behind the opening – fascia panel behind the opening

Installation using frame



Installation in the opening – fascia panel in the opening



Installation in the opening – fascia panel in front of the opening

UniPro **SNP 2.0** UniPro **SSt 2.0**

The UniPro SNP 2.0 and UniPro SSt 2.0 doors are designed primarily for buildings with a low lintel and narrow side clearance making it impossible to use standard solutions. They are also used for renovation projects, particularly where the garage opening has not been precisely finished. The UniPro SNP 2.0 and UniPro SSt 2.0 sectional garage doors feature a specially designed track and opening frame system, enabling adjustment of the door position during installation. Thanks to the proven design, it is a reliable and easy-to-install solution, which directly translates into time and cost savings for the investor.



1 Side gasket + opening frame cover in the door colour as standard



2 Tracks fastened to the opening frame with screws



SSt 2.0 version



3 Universal installation method



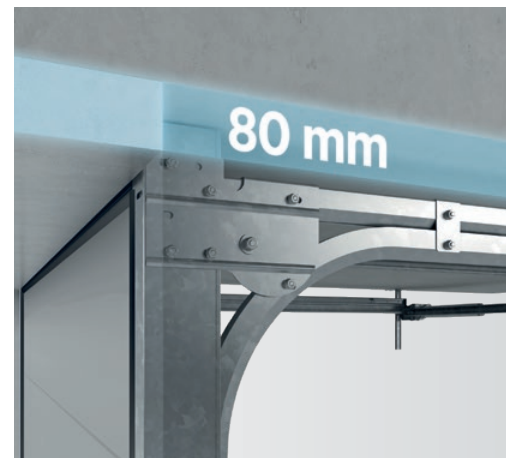
4 950 mm marking



5 Extension spring system



6 Quiet guiding rollers



80 mm lintel

UniPro **Nano80**

The design of the **UniPro Nano80** garage door was adapted to the building conditions, where the low lintel prevents the installation of an automatic garage door. Thanks to its special track profile, the UniPro Nano80 automatic garage door can be installed even with **lintels just 80 mm high**, increasing the comfort for the garage users. Varied designs and a vast colour palette allow you to match the garage door to both traditional and modern buildings.



LINTEL

Renovation fascia panels

WIŚNIEWSKI renovation fascia panels are an aesthetic and functional solution designed for the modernization of existing buildings. They cover installation gaps and structural elements at the sides and above the door, creating a consistent and elegant finish. This is a practical and stylish solution for investors who expect attention to detail in every aspect.



Vertical fascia panel



Horizontal fascia panel

Sectional door installation structure

It is a modern and functional solution enabling the installation of sectional garage doors regardless of the building conditions in your garage. It acts as a framework and replaces the missing elements of the lintel or the side area where the structural elements of the garage door are mounted.

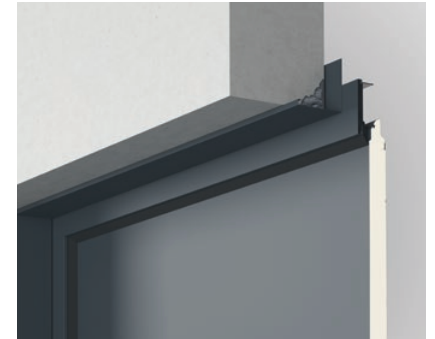
The structure is available in a steel version with the option of covers in the door colour and in an aluminium version that can be painted in any RAL colour or decor.



Renovation fascia panels

The garage door opening can be damaged in the process of replacing the garage door.

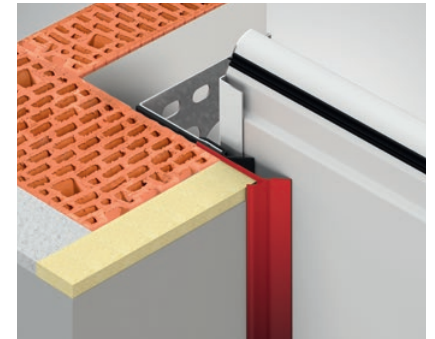
Fascia panels matching the door leaf colour can be used to cover up the damage or some less appealing building structure features.



Renovation fascia panel - option

Finishing thermal seal

Makes it possible to provide an aesthetic finish of the garage opening thermally insulated for example with a layer of polystyrene or Styrodur by eliminating the clearance between the thermal insulation layer and the door leaf surface, which improves thermal insulation.



Finishing thermal seal - option



Structures, versions, colours



STRUCTURES



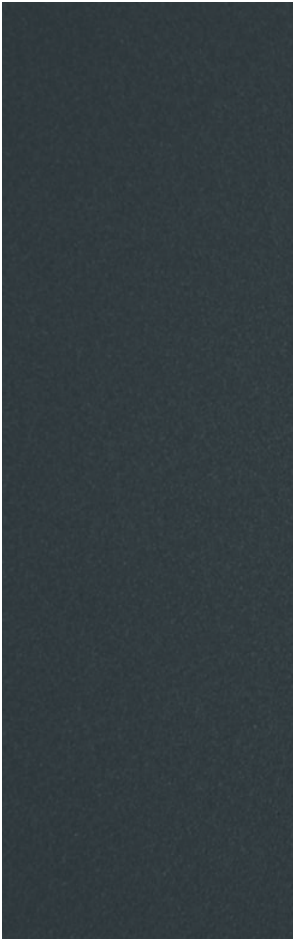
Woodgrain



Smoothgrain



Sandgrain



Silkline



Silkline,
panel with V ribs

DESIGNS



Garage door with panels without ribs



Garage door with panels with high ribs



Garage door with panels with low ribs



Garage door with panels with caisson ribs



Garage door with panels with V ribs

VERSIONS



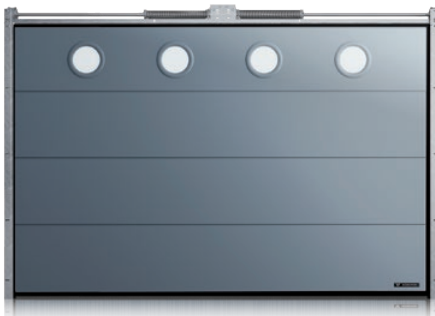
Garage door with portholes - type A-1



Garage door with portholes - type C-1



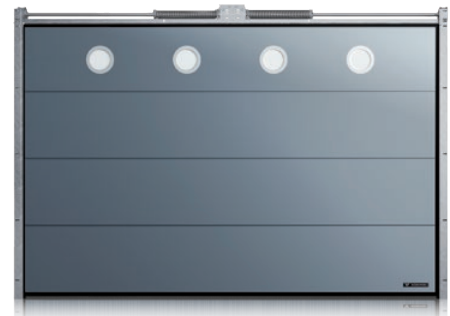
Garage door with portholes - type E-1



Garage door with portholes - type O



Garage door with portholes- type O-1A,
stainless steel porthole frame



Garage door with portholes- type O-2A,
stainless steel porthole frame



Garage door with portholes- type R-1A,
stainless steel porthole frame



Garage door with portholes- type R-2A,
stainless steel porthole frame



Garage door with portholes - type S-2,
aluminium frame, painted



Garage door with portholes - type W4-1



Garage door with portholes - type W5-1



Garage door with portholes - type W6-1



Garage door with portholes - type W3-1



Garage door with VISUAL glazing
- available for garage door widths up to $S_o=3000$ [mm].



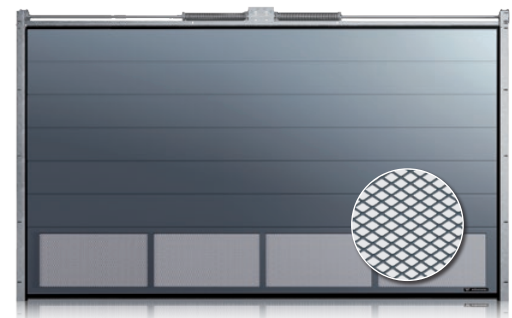
Garage door with the HORIZON glazing



Garage door with an aluminium panel glazing



Garage door with a pet door



Garage door with a ventilated panel -
expanded mesh panel

DECORATIVE MOTIFS



Type Ap-1



Type Ap-2



Type Ap-3



Type Ap-4



Type Ap-5



Type Ap-6



Ap-7 type in the door with panels without ribs



Ap-7 type in the door with panels with high ribs

The Ap-1 – Ap-6 decorative motifs are available in stainless steel colour and RAL 9005.
Ap7 decorative motifs are available in stainless steel and copper-clad stainless steel colours.



WICKET DOOR in the UniPro garage door

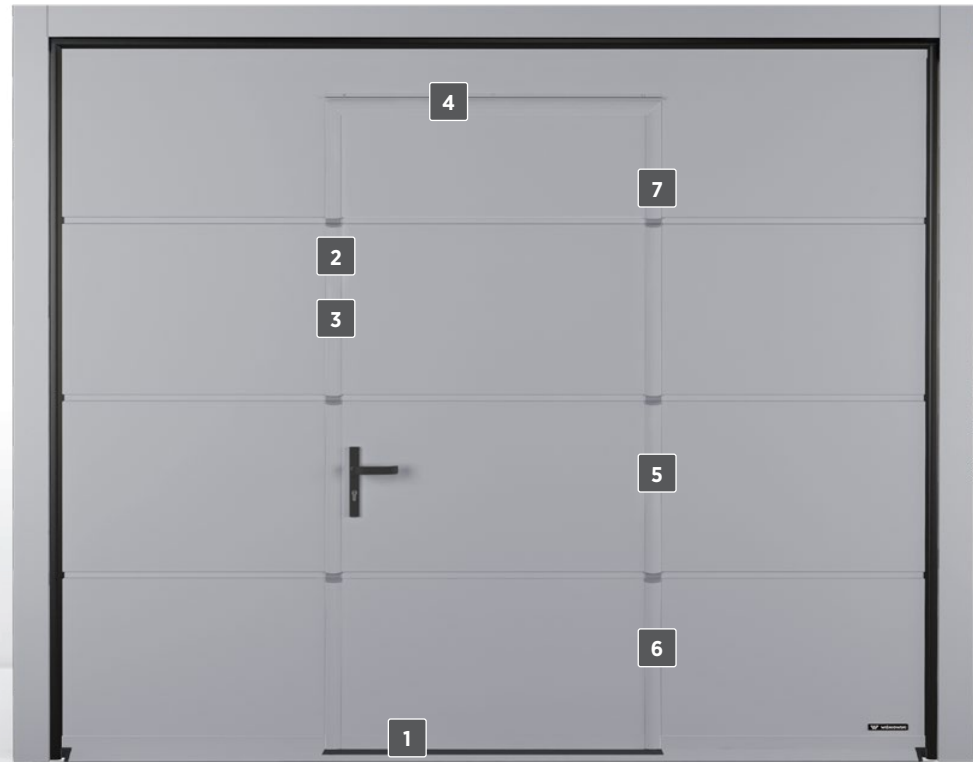
An option available for garage doors with a thickness of 40 mm, which improves the functionality of your garage and provides notable benefits in daily use.

A finely finished wicket door improves the functionality of a garage without a side entrance door. You do not have to fully open the garage door to get inside. This means energy and time savings.



Low threshold with a height of 19 mm minimizes the number of obstacles in the passageway (optional accessory).

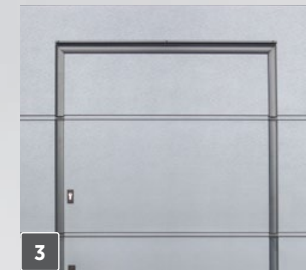
* - The METRO and MOTO drive units have a wireless sensor, while the SPARK drive unit has a wired sensor.



Wicket door fitted with a threshold 100 mm high (including a 40 mm) gasket as standard.



Opening sensor* prevents activation of the garage door when the wicket door is open. The wicket door option in automatic doors includes a wicket door opening sensor.



Hardware made of aluminium, in a colour matching the garage door leaf colour.



4

Drip cap
(standard accessory).



6

Concealed hinges
– adjustable.



Rail door closer
(standard accessory).



5

System preventing the leaf from dropping.



7

Distance brackets
with a safe shape, ensuring better tightness.



Concealed door closer
(optional accessory).

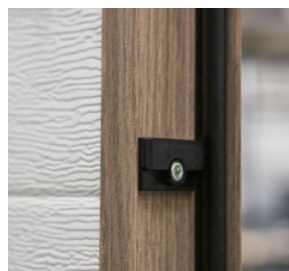
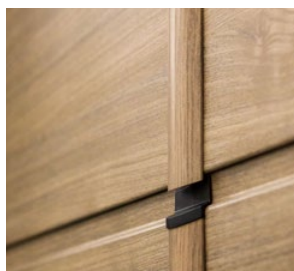
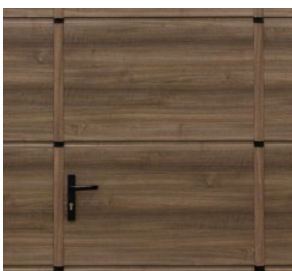
Rail door closer

supplied as standard with the wicket door installed in manually operated and power operated doors. It is fixed to the top hardware of the wicket door from the inside of the door. It is fitted with a restrictor. The hold open device cannot be installed.

Concealed door closer

available in the full scope of dimensional ranges of the door which are compatible with a wicket door. It can optionally be fitted to a wicket door instead of a rail door closer. A wicket door restrictor cannot be installed. Can be fitted with a hold open device.

HARDWARE IN A DECOR COLOUR

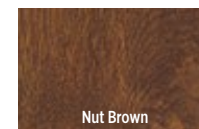


Decor colour of the wicket door hardware

a method of decorating aluminium parts by transferring photosensitive organic pigments from a special film onto a layer of polyester powder coat. This provides a durable and decorative coating which imitates the natural grain of wood.



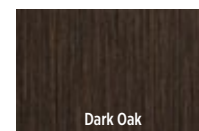
Golden Oak



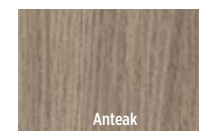
Nut Brown



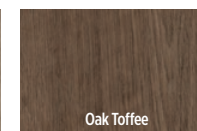
Winchester



Dark Oak



Anteak



Oak Toffee

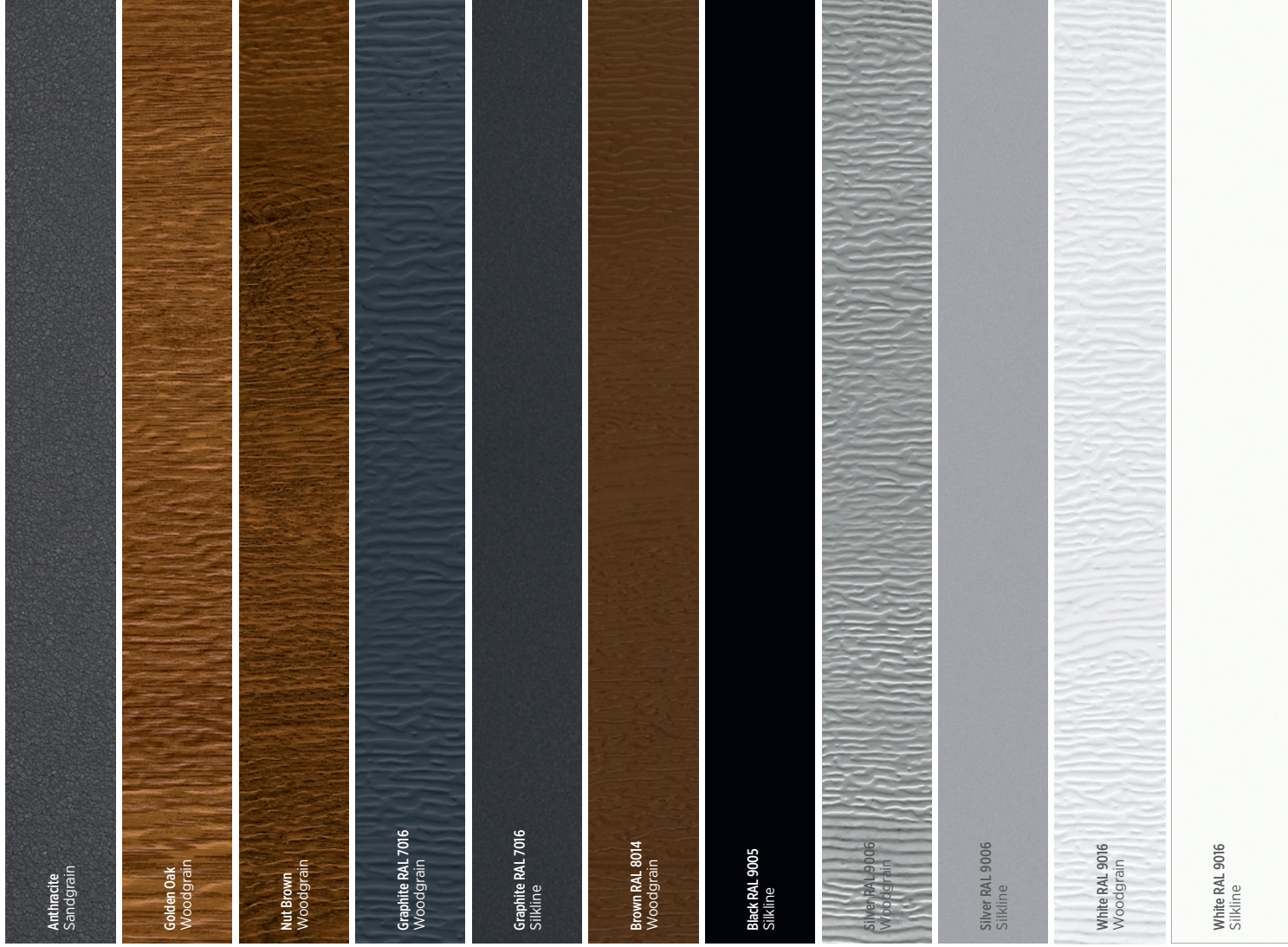
Decor colour of the wicket door hardware – available colours

An abundance of colours

Colour is the first feature our senses react to. We made sure that each of our customers can find the colour they are looking for. Our garage doors can be manufactured in RAL palette colours and in wood effect colours – together with our range of structures and extra decorative elements, this gives you hundreds of options for a tailored solution.



RAL palette colours, wood, steel, and other surface finish effects



NO RIBS	● ▲ ■	■	■	■	● ▲ ■	■	■	■	■	■	● ▲ ■
HIGH RIBS	● ▲ ■	■	■	■	● ▲ ■	■	■	■	■	■	● ▲ ■
LOW RIBS		■	■	■	■	■	■	■	■	■	
V RIBS					■				■		
CAISSON RIBS		■								■	

● PRIME ▲ UniTherm ■ UniPro

All sectional garage door panels with Woodgrain and Silkline structure are available in RAL colours.





NO RIBS	● ▲ ■	● ▲ ■	● ▲ ■	● ▲ ■	● ▲ ■	● ▲ ■	● ▲ ■	● ▲ ■	● ▲ ■	● ▲ ■	● ▲ ■	● ▲ ■
HIGH RIBS	● ▲ ■	● ▲ ■	● ▲ ■	● ▲ ■	● ▲ ■	● ▲ ■	● ▲ ■	● ▲ ■	● ▲ ■	● ▲ ■	● ▲ ■	● ▲ ■
LOW RIBS												
V RIBS												
CAISSON RIBS												

● PRIME ▲ UniTherm ■ UniPro

Swamp Oak 3167004-167
Smoothgrain

Summer Cherry 3214009-195
Smoothgrain

Macore 3162002-167
Smoothgrain

Oregon 1192001-167
Smoothgrain

Sapelli 2065021-167
Smoothgrain

Sienna More 49237 PN
Smoothgrain

Sienna PL 49254-015
Smoothgrain

Sienna Rosso 49233 PR
Smoothgrain

Winchester 49240 XA
Smoothgrain

Black Cherry 3202001-167
Smoothgrain

Natural Oak 3118076-1168
Smoothgrain

Douglas Fir 3152009-1167
Smoothgrain

Rustic Oak 3149008-167
Smoothgrain

Sherfield oaklight F 456-3081
Smoothgrain



All sectional garage door panels with Woodgrain and Silkline structure are available in RAL colours.





NO RIBS	● ▲ ■	● ▲ ■	● ▲ ■	● ▲ ■	● ▲ ■	● ▲ ■	● ▲ ■	● ▲ ■	● ▲ ■	● ▲ ■	● ▲ ■	● ▲ ■
HIGH RIBS	● ▲ ■	● ▲ ■	● ▲ ■	● ▲ ■	● ▲ ■	● ▲ ■	● ▲ ■	● ▲ ■	● ▲ ■	● ▲ ■	● ▲ ■	● ▲ ■
LOW RIBS												
V RIBS												
CAISSON RIBS												

● PRIME ▲ UniTherm ■ UniPro

Anthracite Quartz Matt F4701014
Smoothgrain

Woodc Turner Oak Toffee F4703004
Smoothgrain

Irish Oak 3211305-1148
Smoothgrain

Avellino corten F476-9084
Smoothgrain

Goldbronze F446-1025
Smoothgrain

Stone beige F470-1028
smoothgrain

Modern White
Silkline

Modern White
Woodgrain

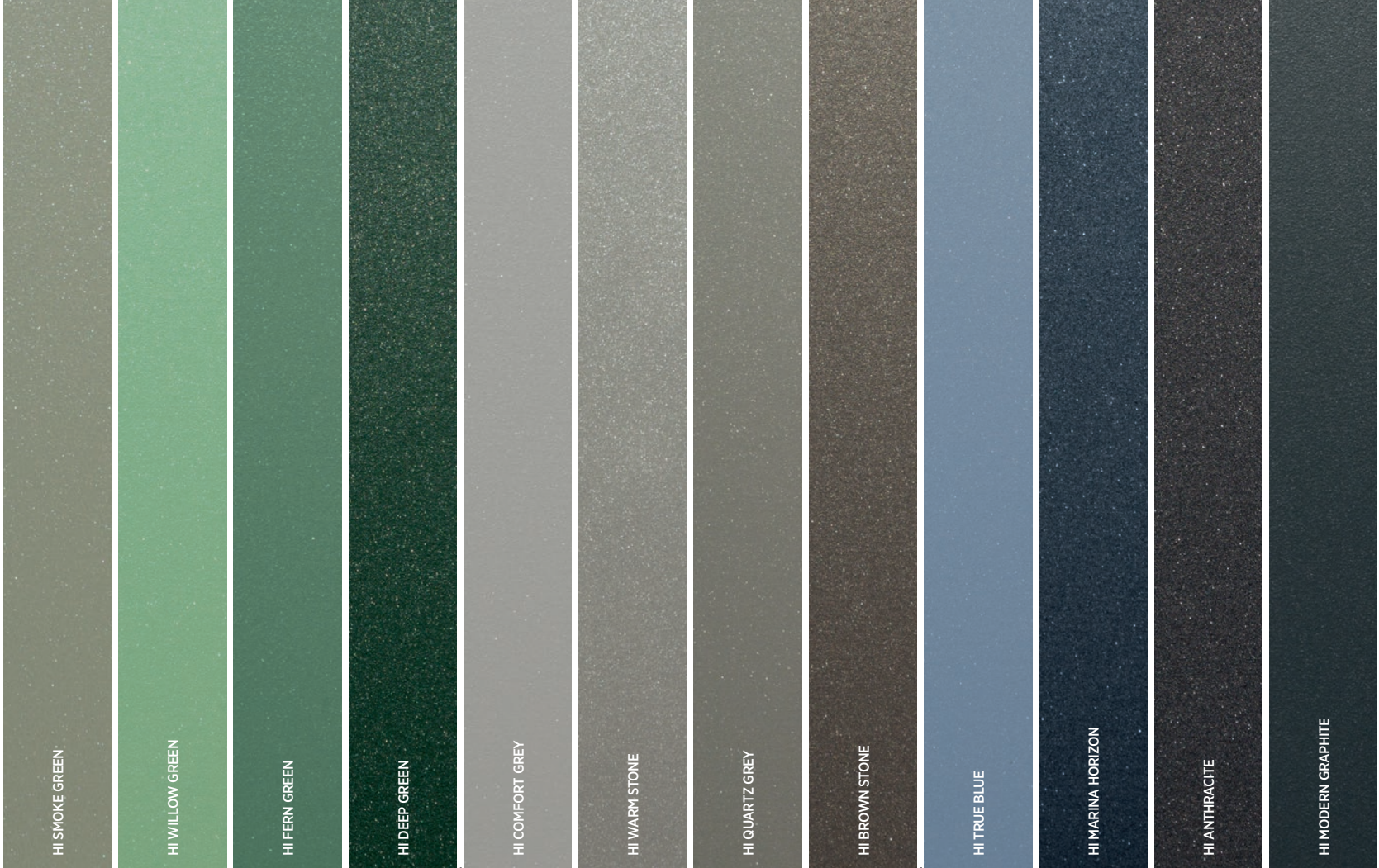
Modern Black
Silkline

Modern Black
Woodgrain

Sable Noir 2100
silkline

Sable Noir 2100
woodgrain





HI EARTH

HI STONE

HI STEEL

NO RIBS	● ▲ ■	● ▲ ■	● ▲ ■	● ▲ ■	● ▲ ■	● ▲ ■	● ▲ ■	● ▲ ■	● ▲ ■	● ▲ ■	● ▲ ■	● ▲ ■
HIGH RIBS	● ▲ ■	● ▲ ■	● ▲ ■	● ▲ ■	● ▲ ■	● ▲ ■	● ▲ ■	● ▲ ■	● ▲ ■	● ▲ ■	● ▲ ■	● ▲ ■
LOW RIBS	■	■	■	■	■	■	■	■	■	■	■	■
V RIBS												
CAISSON RIBS												

● PRIME ▲ UniTherm ■ UniPro



HI MOODY CORAL

HI FLAME RED

HI MODERN MAROON

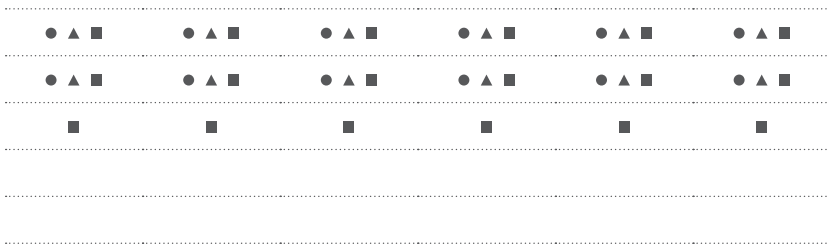
HI DEEP BROWN

HI COSMIC BLACK

HI FOGGY QUARTZ

HI RUBY

Special colours from the HI palette



HOME INCLUSIVE^{2.0}

THE HOME INCLUSIVE 2.0 COLOUR COLLECTION

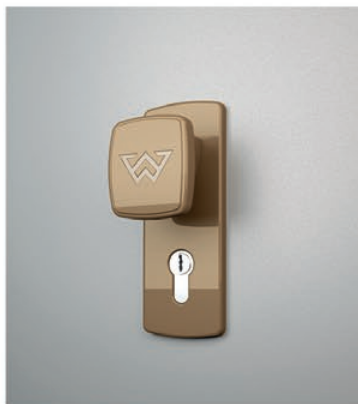
Add exceptional character to your property thanks to the unique depth effect of HI 2.0 colours.



HANDLE COLLECTION



KL-2 handle, colour: RAL 9006



KL-2 handle, colour: RAL 1036



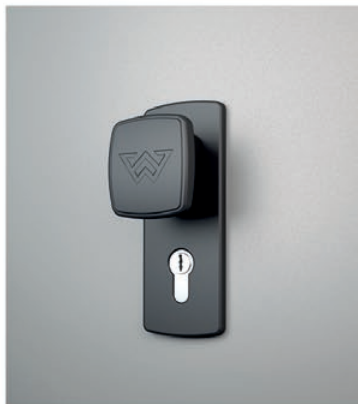
KL-2 handle, colour: RAL 1035



KL-2 handle, colour: RAL 7048



KL-2 handle, colour: RAL 9016



KL-2 handle, colour: RAL 9005



KL-2 handle, colour: RAL 8014

Automatic **garage** **doors**

Treat yourself to comfort and safety with our automatic garage doors. Our finely designed garage doors are configured with a reliable drive unit for a complete device that makes your life that much easier. Our garage doors come with documents confirming that they meet all the functional and safety requirements. The CE mark is a crucial element for the driven garage door, as it backs the declaration of conformity with the stringent European standards.

Professional care of the automatic garage door and its good operation is ensured by the EXTENDED CARE warranty. It lets you extend the standard warranty for the complete product – automatic sectional garage door – up to 5 years when factory configured with the METRO, MOTO or SPARK drive unit.





5 YEARS

**WARRANTY
EXTENDED CARE**

on automatic garage doors
with the **METRO, MOTO**
and **SPARK** drive unit

 **WIŚNIEWSKI**

EXTENDED CARE **warranty**

Extend the standard warranty to 5 years for a complete product – a factory-configured automatic sectional door with the METRO, MOTO or SPARK drive unit – and enjoy the comfort and safety guaranteed by WIŚNIEWSKI quality.

METRO Smart io



4-channel **PULSAR io** transmitter

MOTO io



2-channel **PULSAR io** transmitter

The **METRO Smart io** and **MOTO io** drive units were developed jointly by WIŚNIEWSKI and **Somfy**. Equipped with two-way io-homecontrol radio communication, they enable control with the use of a wall-mounted transmitter, a remote, a smartphone or tablet app or voice commands via a compatible voice assistant*. You can easily program them and enjoy the practical functions, such as the wicket door opening sensor or the top panel tilt for safe garage ventilation. Obstacle detection will stop the door leaf and retract it, minimizing the risk of property damage or injury to users. As standard, the drive track is equipped with a chain and sound damping elements. Optionally, a version with a toothed belt is available, ensuring even quieter drive operation.

The METRO Smart io drive unit has pre-programmed settings and makes it possible to connect and control independent lighting, e.g. LED lighting under the tracks and track connector. A broad selection of state-of-the-art accessories is available for the METRO Smart io and MOTO io drive units in the WIŚNIEWSKI product range.

* - The TaHoma switch smart home central control unit is required for control with an app.

Accessories for garage doors with the **METRO Smart io**, **MOTO io** automatic operating units



3CH io wall-mounted transmitter

The 3-channel transmitter makes it possible to control drive units and radio receivers.

Examples of use:

- - full opening/closing the door,
- - LED lighting under the tracks and/or track connector,
- - top panel tilt.

Wireless communication makes it possible to install it in any place and doesn't require any cables.



KEYPAD 2 io code keypad

It is a surface-mounted wireless device, its installation does not require any cables.

The two-channel code keypad lets you control both your drive units and radio receivers.



Photocells

They prevent uncontrolled door leaf movement when an obstacle is present within the clear passage.



Garage ventilation feature

It is enabled by tilting the top panel without the need to lift the door. The bottom panel remains seated against the floor. Available with the METRO Smart io, MOTO io, and SPARK automatic operating units.



External io radio receiver

Lets you control the drive units using the Pulsar transmitter. It is a two-channel device where you can program as many as 16 transmitters.



Mechanical carriage lock

It is an additional safeguard which increases garage door safety when mounted to the carriage.



Backup power supply battery

Connected to the METRO Smart io and MOTO io drive unit, it provides power for several cycles of emergency operation in case of the main power supply outage.



Signal light

Connected to the drive unit, it has a warning function. Orange blinking light indicates that the door is operating. Compatible with the METRO Smart io, MOTO io, and SPARK drive units.

	Drive unit type	METRO Smart io	MOTO io	SPARK
Technical data	Power supply / Motor	220-230V, 50/60Hz / 24V DC	220-230V, 50/60Hz / 24V DC	220-240V, 50/60Hz / 24V DC
	Force	800N / 1,000N	600N / 750N / 1,000N	500N / 600N / 800N / 1,100N
	Power consumption (stand-by)	< 0,5 W	< 0,5 W	< 0,5 W
	Efficiency	30%	30%	40%
	Track	single, steel	single, steel	split, steel
	Transmission	chain or belt	chain or belt	carriage
	Speed	max. 14 cm/s	max. 14 cm/s	max.: 18 / 24 / 21 / 18 cm/s
	Central control unit	integrated	integrated	integrated
	Radio receiver	io-homecontrol; integrated: 868-870 MHz	io-homecontrol; integrated: 868-870 MHz	WIŚNIEWSKI; integrated: 868 MHz
	Radio receiver storage:	30 transmitters	30 transmitters	40 transmitters
	Two-way radio transmission	yes	yes	yes
	Auto selection of operating parameters	yes	yes	yes
	Limit switches	encoder + mechanical bumper	encoder + mechanical bumper	encoder + mechanical limit switch
	Emergency uncoupling	yes	yes	yes
	Application	sectional / up and over	sectional / up and over	sectional / up and over
	Operating conditions	-20°C / +60°C ; IP20	-20°C / +60°C - in a dry room	-25°C / +65°C - in a dry room
	Wicket door opening sensor	yes	yes	yes
	Rotating automatic operating unit head	yes	yes	no
	Warranty	5 years	5 years	5 years
	Functionality	Obstacle detection	yes	yes
Obstacle detection adjustment		4 adjustment levels	4 adjustment levels	4 adjustment levels
Action following obstacle detection		stop and full opening	stop and full opening	stop and partial opening
Photocells		yes	yes	yes
Automatic closing		60 sec. / 120 sec. or after photoc.	yes, only with TaHoma Pro	yes / max. 240 sec.
Release in end position		yes	yes	yes
Low energy consumption mode		yes	yes	yes
Independent exterior lighting		yes / 230V, 500 W	no	yes / 230V, 500 W ⁽⁴⁾
Exterior lighting control		yes	no	yes
Auxiliary warning light		yes / 24V, 15 W	yes / 24V, 15W	yes / 24V, 25W
Delayed drive unit light switch off		yes / fixed - 60 s	yes / fixed - 30 s	yes / fixed - 180 s
Independent lighting control in the drive unit		yes	yes	yes
Emergency power supply		yes	yes	yes
Display / LEDs		no / yes	no / yes	no / yes
Partial opening of the door - slightly open		yes	yes	yes
Information about a fault		yes, LEDs	yes, LEDs	yes, LED
Smart home		yes, io-homecontrol technology ⁽¹⁾	yes, io-homecontrol technology ⁽¹⁾	yes ^{(2)/(3)}
Control via the app	TaHoma switch	TaHoma switch	WIŚNIEWSKI Connected	

⁽¹⁾ - standard, wireless Smart Home, TaHomaswitch required; ⁽²⁾ - standard, wireless Smart Home based on Wi-Fi, no additional central control unit required; ⁽³⁾ - option for wired Smart Home systems, CONNEX and OUTPUT boards or RELAY transmitter required for full functionality; ⁽⁴⁾ - RELAY transmitter required

io-homecontrol is a modern, safe, and reliable radio technology by Somfy, which lets you control your devices compatible with the smart home concept. Thanks to this technology, the drive unit not only receives commands from the controllers, but it can also send feedback. The io-homecontrol technology makes it possible to connect the METRO Smart io and MOTO io drive units to the TaHoma system to provide additional functions, connecting the garage door with smart devices available at home.

WIŚNIEWSKI 868 MHz is a modern SOMloq2 two-way radio system for controlling garage doors and entrance gates. Thanks to this technology, the drive unit not only receives commands from the transmitters, but it can also send feedback. The SPARK automatic operating units were also equipped with a wi-fi module, which makes it possible to control the gate from an application installed on a mobile device, giving the drive unit additional functionality.

SPARK



DART / DART Vibe
4-channel transmitter*

The **SPARK** drive unit is an advanced solution that offers the highest power among the available options - with a force of up to 1,100 N and an efficiency of 40%. The drive unit has a built-in Wi-Fi module, which enables control of the gate via a mobile app without the need for professional configuration and additional components, such as a central control unit. It is powered by a voltage of 220-240V, 50/60Hz with a 24V DC motor, which allows the gate to open quickly at speeds from 18 up to 24 cm/s, depending on the settings. The drive unit uses a carriage, which ensures exceptional durability and smooth operation. It operates within a temperature range of -25°C to +65°C, making it resistant to harsh weather conditions. It has a built-in radio receiver and operates over the WIŚNIEWSKI 868 radio transmission. The SPARK features an obstacle detection function**, enables the connection of photocells, and has an automatic closing function adjustable up to 240 seconds. It also makes it possible to connect a wicket door sensor, independent control of external lighting up to 500 W, and a garage ventilation function. The drive unit is covered by a 5-year warranty.

* - The DART Vibe transmitter has a feedback function in the form of a short vibration informing the user that the signal was received by the receiver.

** - Amperometric obstacle detection (overload safety device) - when the bottom edge of the door leaf encounters an obstacle, the drive will stop it and immediately change the direction of movement.

Accessories for garage doors with the **SPARK** automatic operating unit



2CH wall-mounted transmitter

A 2-channel device which lets you control both your drive units and radio receivers. Communication between the transmitter and the receiver occurs wirelessly, so the device can be mounted in any place. The wall-mounted transmitter has a feedback function that informs the user about the position of the door using a LED.



ENTRAcode+ code keypad

Compatible with the WIŚNIEWSKI 868 MHz radio receiver. Control of up to five devices. Power supply: 4 X AA 1.5[V] batteries. IP 54 protection rating. Up to 30 m range. ENTRAcodes+ is a wireless device that does not require any wiring and is designed for surface mounting.



WIŚNIEWSKI 868 radio receiver

It makes it possible to control other drive units with the DART and DART Vibe transmitters, and the wall-mounted transmitter. The radio receiver is a two-channel device operating at the frequency of 868 MHz, making it possible to program up to 40 transmitters.



Photocells 180

They prevent uncontrolled door leaf movement when an obstacle is present within the clear passage.



LOCK - motor lock

A magnetic lock which blocks the drive unit in any position of the door. An additional element able to withstand loads up to 300 kg, increasing door safety.



ACCU backup power supply battery

Connected to the SPARK drive unit, it provides power for several cycles of emergency operation in case of the main power supply outage.



CONEX - input board

Additional board with signal, impulse inputs, whose inputs were defined for opening and closing. Compatible with wired smart home systems.



OUTPUT - signal board

Additional board with a signal output. Information about the position of the door: door not open (NO)/door not closed (NC). Compatible with wired smart home systems.



RELAY - additional transmitter

An additional transmitter with the NO/NC output enabling e.g. switching on lights in the garage and external lights or other electrical devices.

The **smartCONNECTED** idea

A modern, two-story house is shown at night. The house has a dark upper level and a lighter lower level. The roofline and the edges of the house are highlighted with a glowing blue light. A large, full moon is visible in the dark blue sky, partially obscured by clouds. The driveway in the foreground is illuminated with a vibrant, multi-colored light trail that curves towards the house. The overall scene is set against a backdrop of dark trees and a clear night sky.

smartCONNECTED enables you to manage your garage door, gate, doors, wicket, and roller shutters – fully automatically, wherever you are.

WIŚNIEWSKI smartCONNECTED combines innovation and cutting-edge technology with daily life. Create an intuitive smart home with WIŚNIEWSKI products and get a guarantee of reliable solutions, convenience, comfort, and security.

Live more comfortably with **smartCONNECTED**



TaHoma

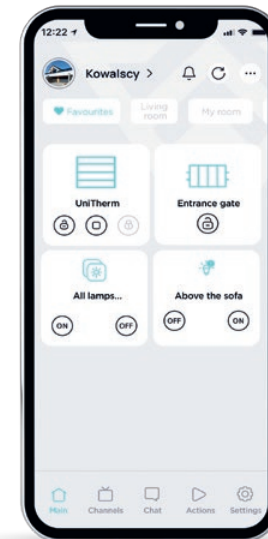
– Your smart home

The io-homecontrol® system with radio transmission makes it possible to wirelessly connect the METRO Smart io and MOTO io drive units to the smart home controlled by Somfy's TaHoma Switch central control unit. Building a comprehensive smart home provides a number of benefits and additional features that enhance your comfort every single day. The app gives you constant access to the most important functions of the elements of your home.

Check what you can gain when you choose Tahoma switch



WIŚNIEWSKI POWERED BY **somfy.**



The WIŚNIEWSKI Connected app

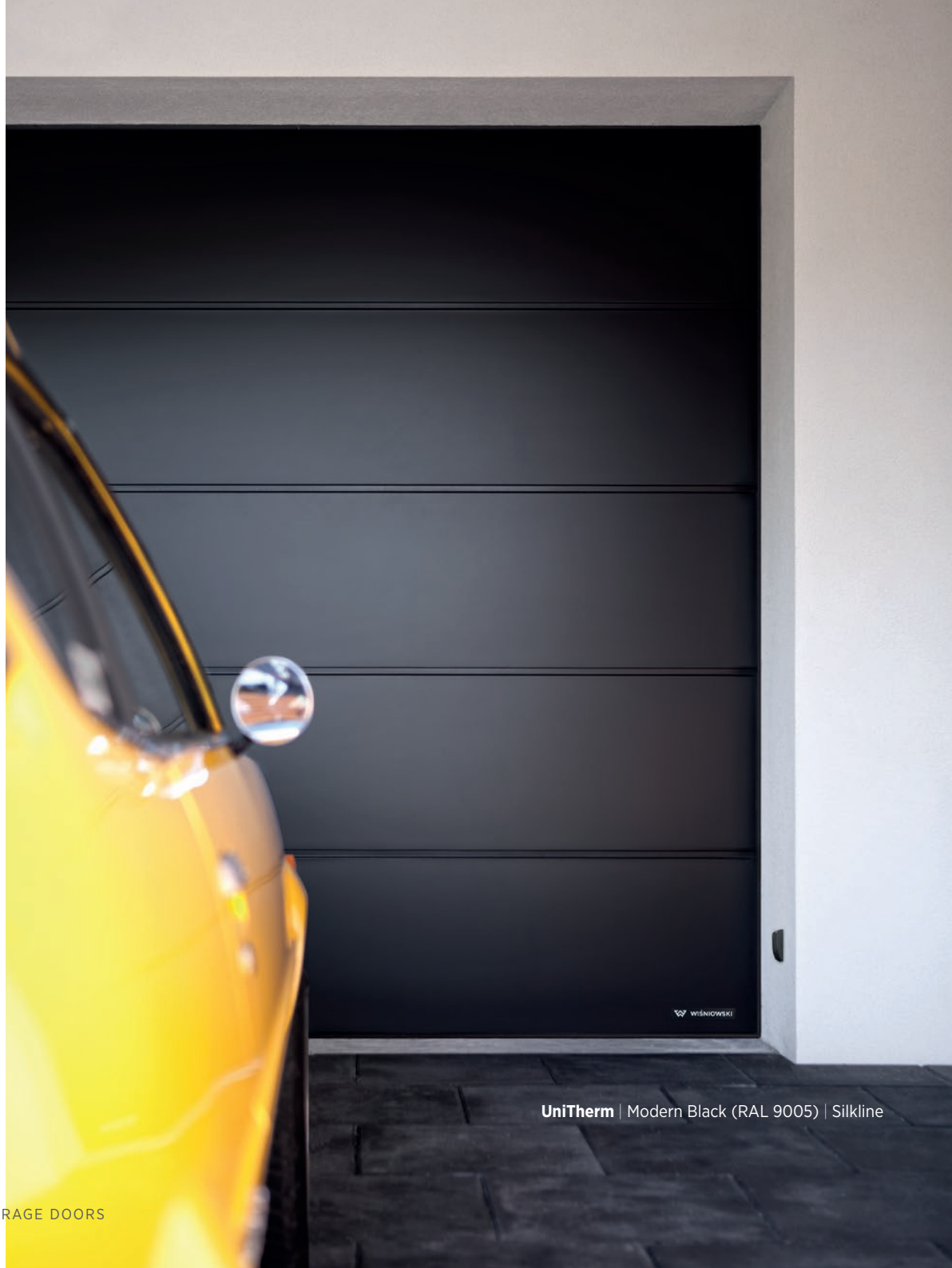
– new quality as standard

Discover the possibilities of a smart home with WIŚNIEWSKI – with SMART products as standard! Control your entrance gate, front door, garage door, and roller shutters, manage user access, and monitor your home's security – all within one app. No central control unit, no remote – just one click! Experience freedom with WIŚNIEWSKI Connected with a free app.

Check what you can gain when you choose WIŚNIEWSKI Connected



INSPIRATION



UniTherm | Modern Black (RAL 9005) | Silkline





UniPro | HI MODERN GRAPHITE
LUX | AW.10.54 | HI MODERN GRAPHITE
CREO | 310 | HI MODERN GRAPHITE

INSPIRATION



UniPro | RAL 7040 | Woodgrain





PRIME | RAL 2011 | Silkline



UniTherm | Modern Black (RAL 9005) | Silkline



PRIME | RAL 9001 | Silkline



UniPro | HI MODERN MAROON

INSPIRATION



UniPro | RAL 7024 | Silkline



INSPIRATION



UniTherm | Natural Oak | Smoothgrain
CREO | 347 | Natural Oak



UniTherm | HI FLAME RED

INSPIRATION



UniPro | Anthracite | Sandgrain
DECO | 145 | RAL 7037 | matt structure





PRIME | RAL 7035 | Silkline
CREO | 321 | RAL 7035 | matt structure

INSPIRATION



UniPro RenoSystem | RAL 9004 | Silkline



UniPro | HI MODERN GRAPHITE (RAL 7016) | silkline

INSPIRATION



PRIME | HI MODERN GRAPHITE (RAL 7016) | Silkline

Technical information

U thermal transmittance factor [W/m²K] for the UniPro sectional doors (40 [mm] panel)

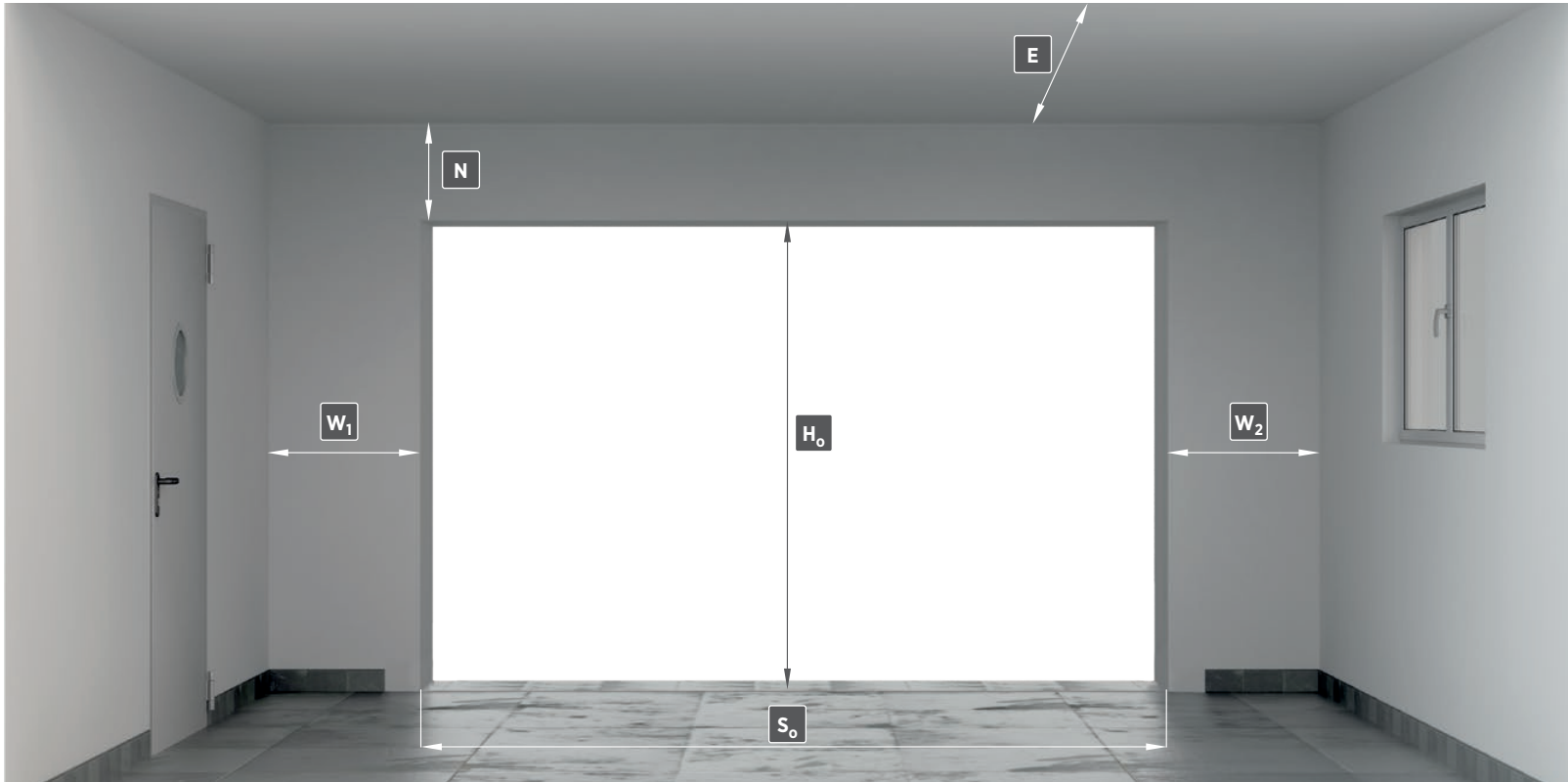
		Door width in [m]																
		2,250	2,375	2,400	2,500	2,600	2,750	3,000	3,250	3,500	3,750	4,000	4,250	4,500	4,750	5,000	5,500	6,000
Door height in [m]	2,000	1,3	1,3	1,3	1,3	1,3	1,3	1,3	1,3	1,3	1,2	1,2	1,2	1,2	1,2	1,2	1,2	1,2
	2,100	1,3	1,3	1,3	1,3	1,3	1,3	1,2	1,2	1,2	1,2	1,2	1,2	1,2	1,2	1,2	1,2	1,2
	2,125	1,3	1,3	1,3	1,3	1,3	1,3	1,2	1,2	1,2	1,2	1,2	1,2	1,2	1,2	1,2	1,2	1,2
	2,200	1,3	1,3	1,3	1,3	1,2	1,2	1,2	1,2	1,2	1,2	1,2	1,2	1,2	1,2	1,2	1,2	1,2
	2,250	1,3	1,3	1,3	1,3	1,2	1,2	1,2	1,2	1,2	1,2	1,2	1,2	1,2	1,2	1,2	1,2	1,1
	2,375	1,3	1,3	1,3	1,3	1,2	1,2	1,2	1,2	1,2	1,2	1,2	1,2	1,2	1,2	1,2	1,2	1,1
	2,500	1,3	1,3	1,3	1,3	1,3	1,2	1,2	1,2	1,2	1,2	1,2	1,2	1,2	1,2	1,2	1,2	
	2,625	1,3	1,3	1,3	1,3	1,2	1,2	1,2	1,2	1,2	1,2	1,2	1,2	1,2	1,2	1,2	1,2	
	2,750	1,3	1,3	1,2	1,2	1,2	1,2	1,2	1,2	1,2	1,2	1,2	1,2	1,2	1,2	1,2		
	2,875	1,3	1,3	1,2	1,2	1,2	1,2	1,2	1,2	1,2	1,2	1,2	1,2	1,2	1,2	1,2		
	3,000	1,3	1,3	1,3	1,3	1,2	1,2	1,2	1,2	1,2	1,2	1,2	1,2	1,2	1,2	1,2		
	3,250	1,3	1,3	1,2	1,2	1,2	1,2	1,2	1,2	1,2	1,2	1,2	1,2	1,2				
	3,500	1,3	1,2	1,2	1,2	1,2	1,2	1,2	1,2	1,2	1,2	1,2	1,2					

U thermal transmittance factor [W/m²K] for the UniTherm and PRIME sectional doors (INNOVO 60 [mm] panel)

		Door width in [m]																
		2,250	2,375	2,400	2,500	2,600	2,750	3,000	3,250	3,500	3,750	4,000	4,250	4,500	4,750	5,000	5,500	6,000
Door height in [m]	2,000	1,1	1,1	1,1	1,1	1,1	1,1	1,0	1,0	1,0	1,0	1,0	1,0	1,0	0,99	0,99	0,98	0,97
	2,100	1,1	1,1	1,1	1,1	1,1	1,0	1,0	1,0	1,0	1,0	0,99	0,98	0,98	0,97	0,97	0,96	0,95
	2,125	1,1	1,1	1,1	1,1	1,0	1,0	1,0	1,0	1,0	0,99	0,98	0,98	0,97	0,97	0,96	0,95	0,95
	2,200	1,1	1,0	1,0	1,0	1,0	1,0	1,0	0,99	0,99	0,98	0,97	0,96	0,96	0,95	0,95	0,94	0,93
	2,250	1,1	1,0	1,0	1,0	1,0	1,0	1,0	0,99	0,98	0,97	0,96	0,95	0,95	0,94	0,94	0,93	0,92
	2,375	1,0	1,0	1,0	1,0	1,0	0,99	0,98	0,97	0,96	0,95	0,94	0,93	0,93	0,92	0,92	0,91	0,90
	2,500	1,1	1,1	1,1	1,1	1,1	1,1	1,0	1,0	1,0	1,0	1,0	0,99	0,99	0,98	0,98		
	2,625	1,1	1,1	1,1	1,1	1,0	1,0	1,0	1,0	1,0	0,99	0,98	0,97	0,97				
	2,750	1,1	1,0	1,0	1,0	1,0	1,0	1,0	0,99	0,98	0,97	0,96	0,96	0,95				
	2,875	1,0	1,0	1,0	1,0	1,0	1,0	0,98	0,97	0,96	0,95	0,95	0,94	0,93				
	3,000			1,0	1,0	0,99	0,98	0,97	0,96	0,95	0,94	0,93	0,92					
	3,250			1,0	1,0	1,0	1,0	1,0	0,99	0,98	0,97	0,96						
	3,500					1,0	0,99	0,97	0,96	0,95								

The factors are provided for doors without glazing, wicket doors, ventilation grilles, aluminium panels, and additional thermal gaskets.

Technical information



- S_o** - opening width, ordering dimension
- H_o** - opening height, ordering dimension
- N** - minimum required lintel height

- W₁** - minimum required side clearance
- W₂** - minimum required side clearance
- E** - minimum garage depth with clearance under the ceiling

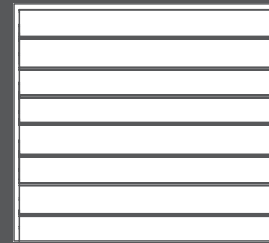
TYPES OF TRACKS

- Sp** - torsion springs installed in the front by the lintel, garage door with double horizontal tracks,
- St** - torsion springs installed at the end of horizontal tracks, garage door with double horizontal tracks,
- Sj** - torsion springs installed in the front by the lintel, garage door with single horizontal tracks (the UniTherm garage door is fitted with auxiliary reinforcing tracks),
- SpA** - tracks at an angle, torsion springs installed in the front by the lintel,
- StA** - tracks at an angle, torsion springs installed at the end of diagonal tracks,
- HL** - high tracks, torsion springs installed by the lintel,
- N** - tension spring system, garage door with double horizontal tracks,
- NP** - pull springs mounted along the vertical tracks.

PANEL TYPES FOR SECTIONAL GARAGE DOORS



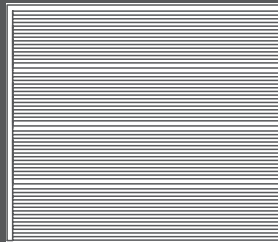
N - low ribs



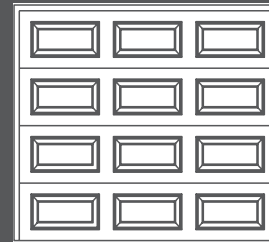
W - high ribs



G - no ribs



V - V ribs



K - caisson ribs

UniPro

Sp tracks



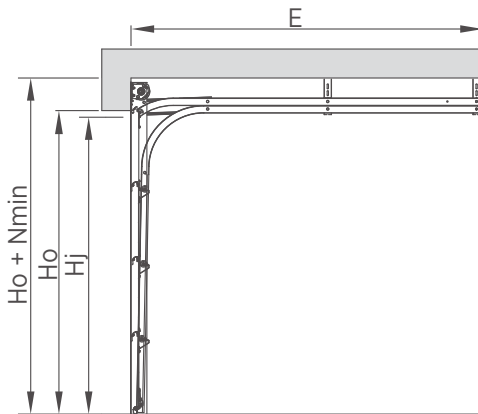
Torsion springs installed in the front by the lintel, garage door with double horizontal tracks

Minimum garage door dimensions:

- $S_o = 1,500$ [mm] and $H_o = 1,800$ [mm] – garage doors type **N**
- $S_o = 1,500$ [mm] and $H_o = 1,900$ [mm] – garage doors type **E**, **W**, **V**
- $S_o = 2,230$ [mm] and $H_o = 1,990$ [mm] – garage doors type **K**
- $S_o = 2,000$ [mm] when $H_o > 3,000$ [mm]

Opening height ⁽¹⁾ (H_o) in [mm] up to	Opening width ⁽¹⁾ (S_o) in [mm] up to																
	2,250	2,375	2,400	2,500	2,600	2,750	3,000	3,250	3,500	3,750	4,000	4,250	4,500	4,750	5,000	5,500	6,000
2,000																	
2,100																	
2,125																	
2,200																	
2,250																	
2,375																	
2,500																	
2,625																	
2,750																	
2,875																	
3,000																	
3,250																	
3,500																	

Installation dimensions



<input type="checkbox"/> <input type="checkbox"/> Sp <input type="checkbox"/>	SSpN		SSpN, SSpG, SSpW, SSpK		SSpG, SSpW		SSpV
Colour/Structure	RAL 8014, RAL 9006, RAL 9016, other RAL (woodgrain)		Golden Oak, Walnut, RAL 7016, RAL 8014, RAL 9016, RAL 9006 panel type <input type="checkbox"/> <input type="checkbox"/> E <input type="checkbox"/> <input type="checkbox"/> W <input type="checkbox"/> <input type="checkbox"/> K (wood-grain) film coating (smoothgrain)		Golden Oak, Walnut (smooth-grain), Anthracite (sandgrain) RAL 7016, RAL 9016, RAL 9005, other RAL (silklime), Home Inclusive 2.0		RAL 9006, RAL 7016, other RAL (silklime)
Dimension	standard	special	standard	special	standard	special	special
N_{min}	=200[mm] for $H_o = 2,000$ [mm] $H_o = 2,100$ [mm] $H_o = 2,250$ [mm] $H_o = 2,500$ [mm] =220[mm] for $H_o = 2,125$ [mm] $H_o = 2,200$ [mm]		=200 [mm]		=200[mm] for $H_o = 2,100$ [mm] $H_o = 2,250$ [mm] =220[mm] for $H_o = 2,125$ [mm] $H_o = 2,200$ [mm]	=200 [mm]	=200 [mm]
S_j			$S_o - 40$ [mm]				
H_j	Manual		$H_o - 160$ [mm]				
	Manual + catcher		$H_o - 80$ [mm]				
	With a drive unit		$H_o - 50$ [mm]				
W_1, W_2				110 [mm]			
E_{min}	Manual		$H_o + 400$ [mm]				
	With the MOTO drive		$L_s + 300$ [mm]				
	With the METRO drive		$L_s + 410$ [mm]				
	With the SPARK drive		$L_s + 363$ [mm]				
L_s	With the MOTO drive With the METRO drive		2,900 [mm] for $H_o \leq 2,250$; 3,500 [mm] for $H_o > 2,250$ and $H_o \leq 2,850$; 4,500 [mm] for $H_o > 2,850$ [mm]				
	With the SPARK drive		3,288 [mm] for $H_o \leq 2,250$; 3,831 [mm] for $H_o > 2,250$ and $H_o \leq 2,750$; 4,384 [mm] for $H_o > 2,751$ and $H_o \leq 3,250$; 4,927 [mm] for $H_o > 3,251$ [mm]				

S_o - opening width, ordering dimension. **S_j** - clear passage width after garage door installation. **H_o** - opening height, ordering dimension. **H_j** - clear passage height after garage door installation. **N** - minimum required lintel height. **W₁** - minimum required side clearance. **W₂** - minimum required side clearance. **E** - minimum garage depth with clearance under the ceiling. **L_s** - drive rail length. ⁽¹⁾ - Ordering dimension.

UniPro

St tracks



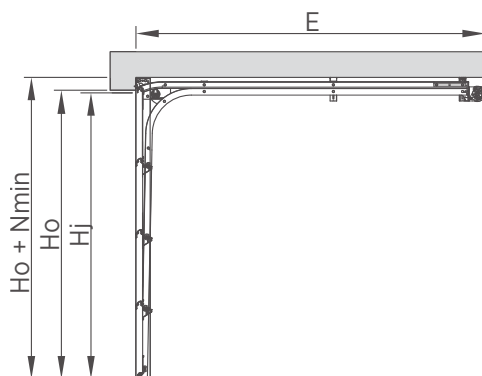
Torsion springs installed at the end of horizontal tracks, garage door with double horizontal tracks

Minimum garage door dimensions:

- $S_o = 1,500$ [mm] and $H_o = 1,800$ [mm] – garage doors type **N**
- $S_o = 1,500$ [mm] and $H_o = 1,900$ [mm] – garage doors type **G**, **W**, **V**
- $S_o = 2,230$ [mm] and $H_o = 1,990$ [mm] – garage doors type **K**

Opening height ⁽¹⁾ (H_o) in [mm] up to	Opening width ⁽¹⁾ (S_o) in [mm] up to															
	2,250	2,375	2,400	2,500	2,600	2,750	3,000	3,250	3,500	3,750	4,000	4,250	4,500	4,750	5,000	5,500
2,000																
2,100																
2,125																
2,200																
2,250																
2,375																
2,500																
2,625																
2,750																
2,875																
3,000																

Installation dimensions



<input type="checkbox"/> <input type="checkbox"/> St <input type="checkbox"/> <input type="checkbox"/>	SStN, SStG, SStW, SStK		SStV
Colour/Structure	all available colour and structure combinations		RAL 9006, RAL 7016, other RAL (silklime)
Dimension	standard	special	special
Nmin	Manual	100 [mm]	
	With the MOTO drive	140 [mm]	
	With the METRO drive	140 [mm]	
	With the SPARK drive	150 [mm]	
Sj	S _o - 40 [mm]		
Hj	Manual	H _o - 160 [mm]	
	Manual + catcher	H _o - 90 [mm]	
	With a drive unit	H _o - 90 [mm]	
W1, W2	110 [mm]		
Emin	Manual	H _o + 750 [mm]	
	With the MOTO drive	L _s + 300 [mm]	
	With the METRO drive	L _s + 410 [mm]	
	With the SPARK drive	L _s + 363 [mm]	
Ls	With the MOTO drive	2,900 [mm] for H _o ≤ 2,250; 3,500 [mm] for H _o > 2,250 and H _o ≤ 2,850; 4,500 [mm] for H _o > 2,850 [mm]	
	With the METRO drive	2,900 [mm] for H _o ≤ 2,250; 3,500 [mm] for H _o > 2,250 and H _o ≤ 2,850; 4,500 [mm] for H _o > 2,850 [mm]	
	With the SPARK drive	3,288 [mm] for H _o ≤ 2,250; 3,831 [mm] for H _o > 2,250 and H _o ≤ 2,750; 4,384 [mm] for H _o > 2,751 [mm]	

So - opening width, ordering dimension. **Sj** - clear passage width after garage door installation. **Ho** - opening height, ordering dimension. **Hj** - clear passage height after garage door installation. **N** - minimum required lintel height. **W1** - minimum required side clearance. **W2** - minimum required side clearance. **E** - minimum garage depth with clearance under the ceiling. **Ls** - drive rail length. ⁽¹⁾ - Ordering dimension.



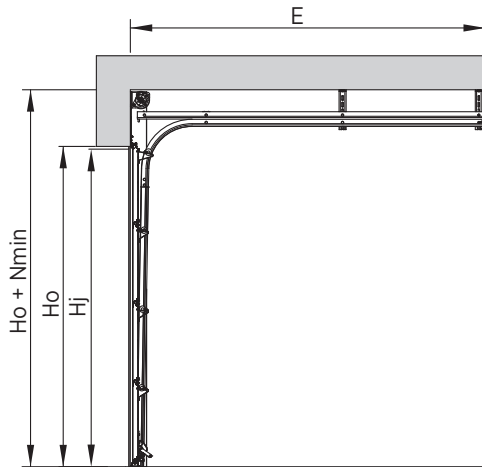
Torsion springs installed in the front by the lintel, garage door with double horizontal tracks (active and passive reinforcing track)

Minimum garage door dimensions:

- $S_o = 1,500$ [mm] and $H_o = 1,800$ [mm] – garage doors type **N**
- $S_o = 1,500$ [mm] and $H_o = 1,900$ [mm] – garage doors type **G**, **W**, **V**
- $S_o = 2,230$ [mm] and $H_o = 1,990$ [mm] – garage doors type **K**
- $S_o = 2,000$ [mm] when $H_o > 3,000$ [mm]

Opening height ⁽¹⁾ (H_o) in [mm] up to	Opening width ⁽¹⁾ (S_o) in [mm] up to																
	2,250	2,375	2,400	2,500	2,600	2,750	3,000	3,250	3,500	3,750	4,000	4,250	4,500	4,750	5,000	5,500	6,000
2,000																	
2,100																	
2,125																	
2,200																	
2,250																	
2,375																	
2,500																	
2,625																	
2,750																	
2,875																	
3,000																	
3,250																	
3,500																	

Installation dimensions



<input type="checkbox"/> <input type="checkbox"/> Sj <input type="checkbox"/> <input type="checkbox"/>	SSjN		SSjN, SSjG, SSjW, SSjK		SSjG, SSjW			
Colour/Structure	RAL 8014, RAL 9006, RAL 9016, other RAL (Woodgrain)		Golden Oak, Walnut, RAL 7016, RAL 8014, RAL 9016, RAL 9006, panel <input type="checkbox"/> <input type="checkbox"/> G <input type="checkbox"/> <input type="checkbox"/> W <input type="checkbox"/> <input type="checkbox"/> K		Golden Oak, Walnut (smoothgrain), Anthracite (sandgrain) RAL 7016, RAL 9016, RAL 9005, other RAL (silklime), Home Inclusive 2.0			
Dimension	standard	special	standard	special	standard	special		
N_{min}	=400[mm] for $H_o = 2,000$ [mm] $H_o = 2,100$ [mm] $H_o = 2,250$ [mm] $H_o = 2,500$ [mm] =420[mm] for $H_o = 2,125$ [mm] $H_o = 2,200$ [mm]		=400 [mm]		=400[mm] for $H_o = 2,000$ [mm] $H_o = 2,100$ [mm] $H_o = 2,125$ [mm] $H_o = 2,250$ [mm] $H_o = 2,375$ [mm] $H_o = 2,500$ [mm] =420[mm] for $H_o = 2,200$ [mm]		=400 [mm]	
S_j	$S_o - 40$ [mm]							
H_j	Manual	$H_j = H_o - 20$ [mm]						
	Manual + catcher							
	With a drive unit							
W_1, W_2	110 [mm]							
E_{min}	Manual	$H_o + 400$ [mm]						
	With the MOTO drive	$L_s + 300$ [mm]						
	With the METRO drive	$L_s + 410$ [mm]						
	With the SPARK drive	$L_s + 363$ [mm]						
L_s	With the MOTO drive	2,900 [mm] for $H_o \leq 2,250$; 3,500 [mm] for $H_o > 2,250$ and $H_o \leq 2,850$; 4,500 [mm] for $H_o > 2,850$						
	With the METRO drive	3,288 [mm] for $H_o \leq 2,250$; 3,831 [mm] for $H_o > 2,250$ and $H_o \leq 2,750$; 4,384 [mm] for $H_o > 2,751$ and $H_o \leq 3,250$; 4,927 [mm] for $H_o > 3,251$ [mm]						
	With the SPARK drive							

S_o – opening width, ordering dimension. S_j – clear passage width after garage door installation. H_o – opening height, ordering dimension. H_j – clear passage height after garage door installation. N – minimum required lintel height. W_1 – minimum required side clearance. W_2 – minimum required side clearance. E – minimum garage depth with clearance under the ceiling. L_s – drive rail length. ⁽¹⁾ – Ordering dimension.

UniPro

N tracks



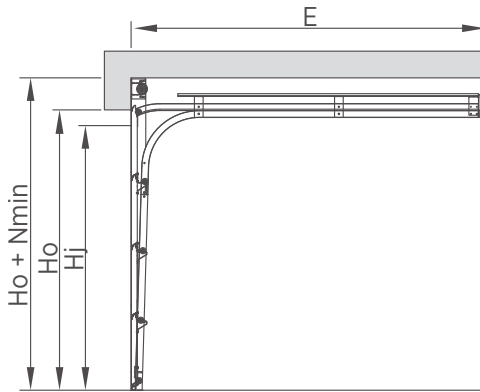
Extension springs, garage door with double horizontal tracks

Minimum garage door dimensions:

- $S_o = 1,500$ [mm] and $H_o = 1,800$ [mm] – garage doors type
- $S_o = 1,500$ [mm] and $H_o = 1,900$ [mm] – garage doors type , ,
- $S_o = 2,230$ [mm] and $H_o = 1,990$ [mm] – garage doors type

Opening height ⁽¹⁾ (H_o) in [mm] up to	Opening width ⁽¹⁾ (S_o) in [mm] up to															
	2,250	2,375	2,400	2,500	2,600	2,750	3,000	3,250	3,500	3,750	4,000	4,250	4,500	4,750	5,000	
2,000																
2,100																
2,125																
2,200																
2,250																
2,375																
2,500																
2,625																
2,750																
2,875																
3,000																

Installation dimensions



	SNN		SNN, SNG, SNW, SNK		SNG, SNW	
Colour/Structure	RAL 8014, RAL 9006, RAL 9016, other RAL (Woodgrain)		Golden Oak, Walnut RAL 7016, RAL 8014, RAL 9016 panel (woodgrain)		Golden Oak, Walnut (Smoothgrain), Anthracite (sandgrain), RAL 7016, RAL 9016, other RAL (silklime), Home Inclusive 2.0, film coating (smoothgrain)	
Dimension	standard	special	standard	special	standard	special
N_{min}	=220[mm] for $H_o = 2,000$ [mm] $H_o = 2,100$ [mm] $H_o = 2,250$ [mm] $H_o = 2,500$ [mm] =240[mm] for $H_o = 2,125$ [mm] $H_o = 2,200$ [mm]	=220 [mm]	=200[mm] for $H_o = 2,100$ [mm] $H_o = 2,250$ [mm] =240[mm] for $H_o = 2,125$ [mm] $H_o = 2,200$ [mm]	=220 [mm]	=220[mm] for $H_o = 2,000$ [mm] $H_o = 2,100$ [mm] $H_o = 2,125$ [mm] $H_o = 2,250$ [mm] $H_o = 2,375$ [mm] $H_o = 2,500$ [mm] =240[mm] for $H_o = 2,200$ [mm]	=220 [mm]
S_j			$S_o - 40$ [mm]			
H_j	Manual		$H_o - 130$ [mm]			
	Manual + catcher					
	With a drive unit		$H_o - 80$ [mm]			
E_{min}	W_1, W_2		110 [mm]			
	Manual		$H_o + 800$ [mm]			
	With the MOTO drive		$L_s + 300$ [mm]			
	With the METRO drive		$L_s + 410$ [mm]			
L_s	With the SPARK drive		$L_s + 363$ [mm]			
	With the MOTO drive		2,900 [mm] for $H_o \leq 2,250$; 3,500 [mm] for $H_o > 2,250$ and $H_o \leq 2,850$; 4,500 [mm] for $H_o > 2,850$ [mm]			
	With the SPARK drive		3,288 [mm] for $H_o \leq 2,250$; 3,831 [mm] for $H_o > 2,250$ and $H_o \leq 2,750$; 4,384 [mm] for $H_o > 2,751$ [mm]			

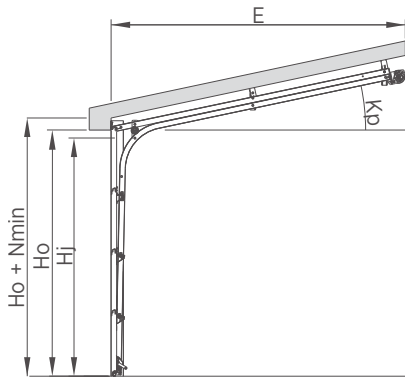
S_o – opening width, ordering dimension. S_j – clear passage width after garage door installation **H_o – opening height, ordering dimension.** H_j – clear passage height after garage door installation. N – minimum required lintel height. W_1 – minimum required side clearance. W_2 – minimum required side clearance. E – minimum garage depth with clearance under the ceiling. L_s – drive rail length. ⁽¹⁾ – Ordering dimension.

UniPro

StA tracks



Installation dimensions



Minimum garage depth

Tracks at an angle, torsion springs installed at the end of diagonal tracks

Minimum garage door dimensions:

- $S_o = 1,500$ [mm] and $H_o = 1,800$ [mm] – garage doors type **N**
- $S_o = 1,500$ [mm] and $H_o = 1,900$ [mm] – garage doors type **G**, **W**, **V**
- $S_o = 2,230$ [mm] and $H_o = 1,990$ [mm] – garage doors type **K**

Opening height ⁽¹⁾ (Ho) in [mm] up to	Opening width ⁽¹⁾ (So) in [mm] up to															
	2,250	2,375	2,400	2,500	2,600	2,750	3,000	3,250	3,500	3,750	4,000	4,250	4,500	4,750	5,000	5,500
2,000																
2,100																
2,125																
2,200																
2,250																
2,375																
2,500																
2,625																

StA	Nmin			Hj			Sj	W1, W2
	Kp	manual	with the MOTO, METRO drive	with the SPARK drive	manual	manual + catcher		
degrees [°]	[mm]	[mm]	[mm]	[mm]	[mm]	[mm]	[mm]	[mm]
2	140	170	190	Ho - 100	Ho - 80	Ho - 70	So - 40	110
3	135	165	185	Ho - 110	Ho - 90	Ho - 70		
4	130	160	180	Ho - 120	Ho - 90	Ho - 70		
5	120	150	170	Ho - 130	Ho - 90	Ho - 70		
6	110	140	160	Ho - 140	Ho - 90	Ho - 70		
7	110	140	155	Ho - 140	Ho - 90	Ho - 70		
8	100	130	145	Ho - 140	-	Ho - 70		
9	100	120	135	Ho - 140	-	Ho - 70		
10	100	110	125	Ho - 140	-	Ho - 70		
11	100	100	115	Ho - 140	-	Ho - 60		
12	100	100	110	Ho - 140	-	Ho - 60		
13	100	100	110	Ho - 140	-	Ho - 60		
14 to 20	100	100	100	Ho - 140	-	Ho - 60		

Emin
Automatic: $E_{min} = \cos(K_p) \times E_{min}'$
Manual: $E_{min} = \cos(K_p) \times (H_o + 800)$
H_o – opening height
E_{min}' – value from the table, depending on the automatic operating unit and H_o
K_p – inclination angle of the ceiling in relation to the floor

Drive unit	Emin'	Height Ho
MOTO	3,200	0 - 2,250
	3,800	2,251 - 2,625
METRO	3,310	0 - 2,250
	3,910	2,251 - 2,625
SPARK	3,650	0 - 2,250
	4,190	2,251 - 2,625

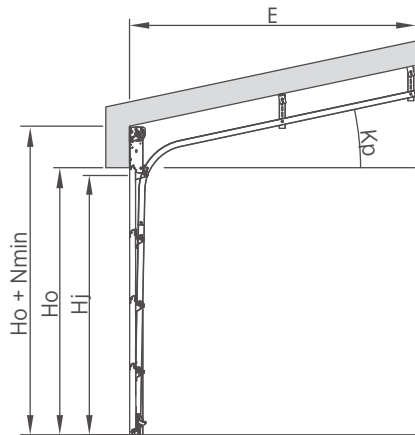
So – opening width, ordering dimension. **Sj** – clear passage width after garage door installation. **Ho** – opening height, ordering dimension. **Hj** – clear passage height after garage door installation. **N** – minimum required lintel height. **W1** – minimum required side clearance. **W2** – minimum required side clearance. **E** – minimum garage depth with clearance under the ceiling. **Ls** – drive rail length. ⁽¹⁾ – Ordering dimension.

UniPro

SpA tracks



Installation dimensions



Minimum garage depth

Tracks at an angle, torsion springs installed in the front by the lintel

Minimum garage door dimensions:

- $S_o = 1,500$ [mm] and $H_o = 1,800$ [mm] – garage doors type **N**
- $S_o = 1,500$ [mm] and $H_o = 1,900$ [mm] – garage doors type **G**, **W**, **V**
- $S_o = 2,230$ [mm] and $H_o = 1,990$ [mm] – garage doors type **K**

Opening height ⁽¹⁾ (Ho) in [mm] up to	Opening width ⁽¹⁾ (So) in [mm] up to															
	2,250	2,375	2,400	2,500	2,600	2,750	3,000	3,250	3,500	3,750	4,000	4,250	4,500	4,750	5,000	
2,000																
2,100																
2,125																
2,200																
2,250																
2,375																
2,500																
2,625																

SpA	Nmin			Hj		Sj	W1,W2
	Kp	manual	with the MOTO, METRO drive	with the SPARK drive	manual		
degrees [°]	[mm]	[mm]	[mm]	[mm]	[mm]	[mm]	[mm]
2 to 3	360	390	390	Ho - 50	Ho - 20	So - 40	110
4	350	380	380	Ho - 50	Ho - 20		
5 to 6	350	370	370	Ho - 50	Ho - 20		
7	350	360	360	Ho - 50	Ho - 20		
8 to 20	350	350	350	Ho - 50	Ho - 20		

Emin
Automatic: $E_{min} = \cos(K_p) \times E_{min}'$
Manual: $E_{min} = \cos(K_p) \times (H_o + 450)$
H_o – opening height
E_{min}' – value from the table, depending on the automatic operating unit and H_o
K_p – inclination angle of the ceiling in relation to the floor

Drive unit	Emin'	Height Ho
MOTO	3,200	0 - 2,250
	3,800	2,251 - 2,625
METRO	3,310	0 - 2,250
	3,910	2,251 - 2,625
SPARK	3,650	0 - 2,250
	4,190	2,251 - 2,625

So – opening width, ordering dimension. **Sj** – clear passage width after garage door installation. **Ho** – opening height, ordering dimension. **Hj** – clear passage height after garage door installation. **N** – minimum required lintel height. **W1** – minimum required side clearance. **W2** – minimum required side clearance. **E** – minimum garage depth with clearance under the ceiling. **Ls** – drive rail length. ⁽¹⁾ – Ordering dimension.

UniPro

HL tracks



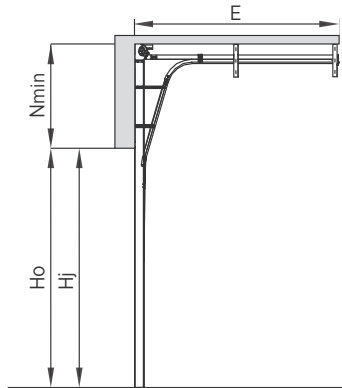
High tracks, torsion springs installed by the lintel

Minimum garage door dimensions:

- $S_o = 1,500$ [mm] and $H_o = 1,955$ [mm] – garage doors type **G**, **W**, **V**, **N**
- $S_o = 2,230$ [mm] and $H_o = 2,040$ [mm] – garage doors type **K**

Opening height ⁽¹⁾ (H_o) in [mm] up to	Opening width ⁽¹⁾ (S_o) in [mm] up to															
	2,250	2,375	2,400	2,500	2,600	2,750	3,000	3,250	3,500	3,750	4,000	4,250	4,500	4,750	5,000	5,500
2,000																
2,100																
2,125																
2,200																
2,250																
2,375																
2,500																
2,625																
2,750																
2,875																
3,000																

Installation dimensions



<input type="checkbox"/> HL <input type="checkbox"/>		SHLN, SHLG, SHLW, SHLK	
Colour/Structure		all available colour and structure combinations	
Dimension		standard	special
Nmin	Manual	400 < N ≤ 1,300	
	With a drive unit		
Sj		S _o - 40 [mm]	
Hj	Manual	H _o - 20 [mm]	
	With a drive unit		
W1, W2		110 [mm]	
Emin	Manual	H _o - 0.8 x N + 645 [mm]	
	With the MOTO drive	3,200 [mm] for H _o ≤ 2,080; 3,800 [mm] for 2,080 < H _o ≤ 2,680; 4,800 [mm] for H _o > 2,680	
	With the METRO drive	3,310 [mm] for H _o ≤ 2,080; 3,910 [mm] for 2,080 < H _o ≤ 2,680; 4,910 [mm] for H _o > 2,680	

S_o – opening width, ordering dimension. **S_j** – clear passage width after garage door installation. **H_o** – opening height, ordering dimension. **H_j** – clear passage height after garage door installation. **N** – minimum required lintel height. **W₁** – minimum required side clearance. **W₂** – minimum required side clearance. **E** – minimum garage depth with clearance under the ceiling. **L_s** – drive rail length. ⁽¹⁾ – Ordering dimension.



Extension springs mounted along the vertical tracks

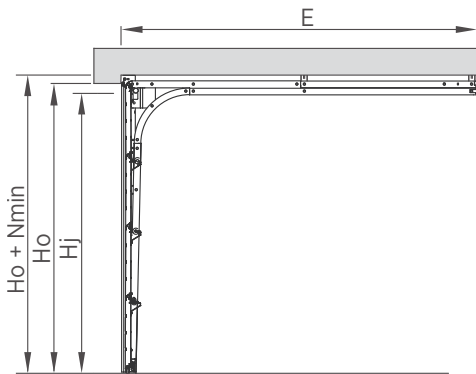
Minimum garage door dimensions:

- $S_o = 1,500$ [mm] and $H_o = 1,800$ [mm] – garage doors type **N**
- $S_o = 1,500$ [mm] and $H_o = 1,900$ [mm] – garage doors type **G**, **W**, **V**
- $S_o = 2,230$ [mm] and $H_o = 1,990$ [mm] – garage doors type **K**
- $S_o \leq 1,750$ [mm] and $H_{o \max} = 2,500$ [mm], $1,750$ [mm] < S_o < $2,000$ [mm] $H_{o \max} = 2,750$ [mm]

Opening height ⁽¹⁾ (H _o) in [mm] up to	Opening width ⁽¹⁾ (S _o) in [mm] up to														
	2,250	2,375	2,400	2,500	2,600	2,750	3,000	3,250	3,500	3,750	4,000	4,250	4,500	4,750	5,000
2,000															
2,100															
2,125															
2,200															
2,250															
2,375															
2,500															
2,625															
2,750															
2,875															
3,000															

■ - not applicable to doors with the Sandgrain and RAL 9005 Silkline finish.

Installation dimensions



<input type="checkbox"/> <input type="checkbox"/> SN <input type="checkbox"/> <input type="checkbox"/>		SNPN, SNPG, SNPW, SNPK		SNPV
Colour/Structure		all available colour and structure combinations		RAL 9006, RAL 7016, other RAL (silklime)
Dimension		standard	special	special
N _{min}	Manual	90 [mm]		
	With the MOTO drive	100 [mm]		
	With the METRO drive	120 [mm]		
	With the SPARK drive	120 [mm]		
S _j		S _o - 40 [mm]		
H _j	Manual + catcher (standard)	H _o - 60 [mm]		
	With a drive unit	H _o - 60 [mm]		
W ₁ , W ₂		100 [mm]		
E _{min}	Manual	H _o + 600 [mm]		
	With the MOTO drive	L _s + 300 [mm]		
	With the METRO drive	L _s + 410 [mm]		
	With the SPARK drive	L _s + 363 [mm]		
L _s	With the MOTO drive	2,900 [mm] for H _o ≤ 2,250; 3,500 [mm] for H _o > 2,250 and H _o ≤ 2,850; 4,500 [mm] for H _o > 2,850		
	With the METRO drive	3,288 [mm] for H _o ≤ 2,250; 3,831 [mm] for H _o > 2,250 and H _o ≤ 2,750; 4,384 [mm] for H _o > 2,751 [mm]		
	With the SPARK drive	3,288 [mm] for H _o ≤ 2,250; 3,831 [mm] for H _o > 2,250 and H _o ≤ 2,750; 4,384 [mm] for H _o > 2,751 [mm]		

S_o - opening width, ordering dimension. **S_j** - clear passage width after garage door installation **H_o** - opening height, ordering dimension. **H_j** - clear passage height after garage door installation. **N** - minimum required lintel height. **W₁** - minimum required side clearance. **W₂** - minimum required side clearance. **E** - minimum garage depth with clearance under the ceiling. **L_s** - drive rail length. ⁽¹⁾ - Ordering dimension.

UniPro RenoSystem

St tracks



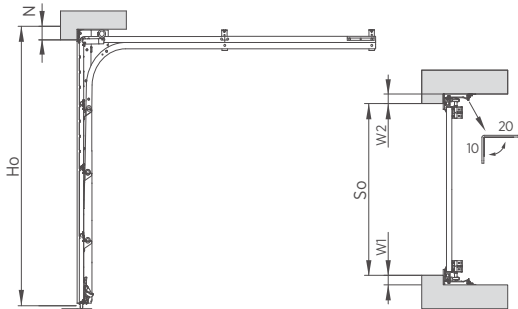
Available range of dimensions for tracks

Minimum garage door dimensions:

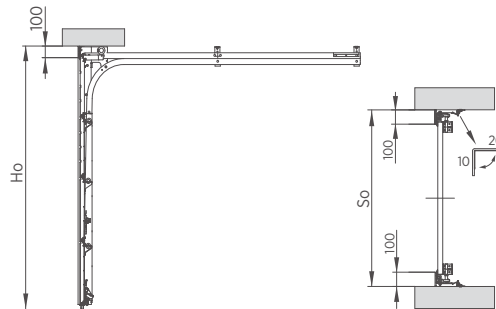
- $S_o = 1,500$ [mm] and $H_o = 1,900$ [mm].

Opening height (H_o) in [mm] up to	Opening width (S_o) in [mm] up to															
	2,250	2,375	2,400	2,500	2,600	2,750	3,000	3,250	3,500	3,750	4,000	4,250	4,500	4,750	5,000	
2,000																
2,100																
2,125																
2,200																
2,250																
2,375																
2,500																
2,625																
2,750																
2,875																

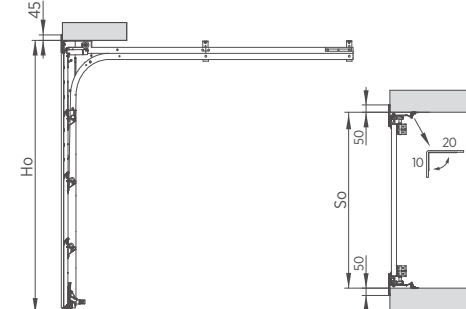
Installation behind the opening – fascia panel behind the opening



Installation in the opening – fascia panel in the opening



Installation in the opening – fascia panel in front of the opening



Installation dimensions

		St	Installation behind the opening	Installation in the opening
Sj			$S_o - 240$ [mm] + $W_1 + W_2$	$S_o - 240$ [mm]
Hj	manual		$H_o - 210$ [mm] + N	$H_o - 210$ [mm]
	manual + catcher		$H_o - 160$ [mm] + N ⁽¹⁾	$H_o - 160$ [mm] ⁽¹⁾
	with the MOTO, METRO drive		$H_o - 160$ [mm] + N ⁽¹⁾	$H_o - 160$ [mm] ⁽¹⁾
Nmin			0 [mm]	0 [mm]
W1min, W2min			0 [mm]	0 [mm]
S			$S_o - 200$ [mm] + $W_1 + W_2$	
H			$H_o - 100$ [mm] + N	
If: $N > 100$ [mm] assume 100 [mm]; $W_1 > 100$ [mm] assume $W_1 = 100$ [mm]; $W_2 > 100$ [mm] assume $W_2 = 100$ [mm]				

So – opening width, ordering dimension. **Sj** – clear passage width after garage door installation. **Ho** – opening height, ordering dimension. **Hj** – clear passage height after garage door installation. **N** – minimum required lintel height. **W1** – minimum required side clearance. **W2** – minimum required side clearance. **E** – minimum garage depth with clearance under the ceiling. ⁽¹⁾ – When a lock is fitted in the garage door with a safety brake $H_j = H_o - 190$ [mm] + N

UniPro RenoSystem

SNP tracks



Available range of dimensions for tracks

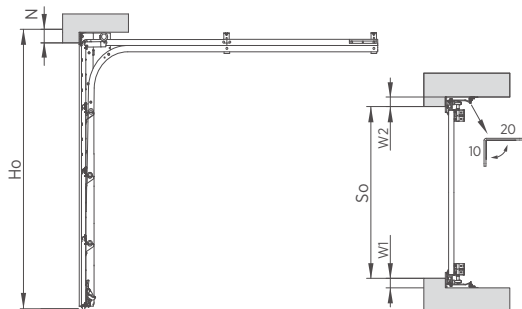
Minimum garage door dimensions:

- $S_o = 1,500$ [mm] and $H_o = 1,900$ [mm].

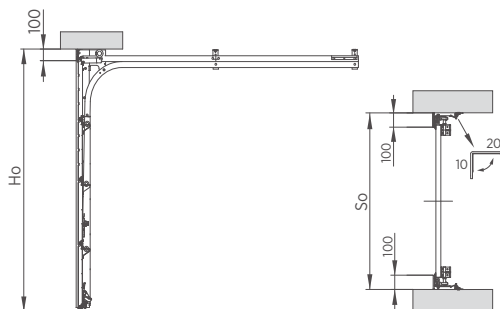
Opening height ⁽¹⁾ (H_o) in [mm] up to	Opening width ⁽¹⁾ (S_o) in [mm] up to															
	2,250	2,375	2,400	2,500	2,600	2,750	3,000	3,250	3,500	3,750	4,000	4,250	4,500	4,750	5,000	
2,000																
2,100																
2,125																
2,200																
2,250																
2,375																
2,500																
2,625																
2,750																
2,875																

- not applicable to doors with the Sandgrain and RAL 9005 Silkline finish.

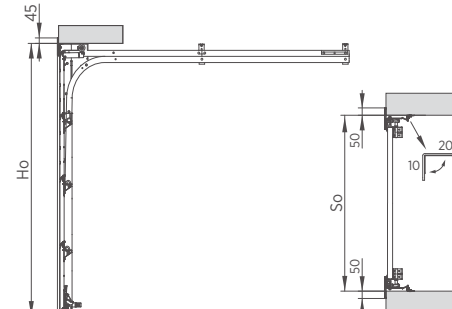
Installation behind the opening – fascia panel behind the opening



Installation in the opening – fascia panel in the opening



Installation in the opening – fascia panel in front of the opening



Installation dimensions

		Installation behind the opening	Installation in the opening
S_j		$S_o - 240$ [mm] + $W_1 + W_2$	$S_o - 240$ [mm]
H_j	manual	$H_o - 320$ [mm] + N	$H_o - 320$ [mm]
	manual + catcher	$H_o - 240$ [mm] + N	$H_o - 240$ [mm]
	with the MOTO, METRO drive	$H_o - 220$ [mm] + N	$H_o - 220$ [mm]
	with the SPARK drive	$H_o - 240$ [mm] + N	$H_o - 240$ [mm]
N_{min}		0 [mm]	0 [mm]
W_{1min}, W_{2min}		0 [mm]	0 [mm]
S		$S_o - 200$ [mm] + $W_1 + W_2$	
H		$H_o - 100$ [mm] + N	
If: $N > 100$ [mm] assume 100 [mm]; $W_1 > 100$ [mm] assume $W_1 = 100$ [mm]; $W_2 > 100$ [mm] assume $W_2 = 100$ [mm]			

S_o – opening width, ordering dimension. **S_j** – clear passage width after garage door installation. **H_o** – opening height, ordering dimension. **H_j** – clear passage height after garage door installation. **N** – minimum required lintel height. **W₁** – minimum required side clearance. **W₂** – minimum required side clearance. **E** – minimum garage depth with clearance under the ceiling.

UniPro Nano80

Nano80 tracks



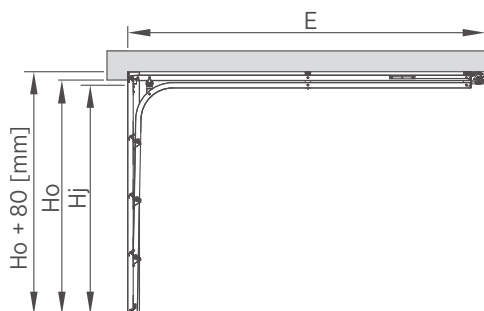
Nano80 – low tracks, torsion springs installed at the end of horizontal tracks

Minimum garage door dimensions:

- $S_o = 1,500$ [mm] and $H_o = 1,955$ [mm] – garage doors type **G**, **W**, **V**, **N**
- $S_o = 2,230$ [mm] and $H_o = 2,040$ [mm] – garage doors type **K**

Opening height ⁽¹⁾ (H_o) in [mm] up to	Opening width ⁽¹⁾ (S_o) in [mm] up to															
	2,250	2,375	2,400	2,500	2,600	2,750	3,000	3,250	3,500	3,750	4,000	4,250	4,500	4,750	5,000	5,500
2,000																
2,100																
2,125																
2,200																
2,250																
2,375																
2,500																
2,625																
2,750																
2,875																
3,000																

Installation dimensions



Nano80		SStN, SStG, SStW, SStK
Colour/Structure		all available colour and structure combinations
Dimension		standard special
N_{min}	With a drive unit	80 [mm]
	S_j	$S_o - 40$ [mm]
H_j	With the MOTO drive	$H_o - 80$ [mm]
	With the METRO drive	$H_o - 80$ [mm]
	W_1, W_2	110 [mm]
E_{min}	With the MOTO drive	$L_s + 600$ [mm]
	With the METRO drive	$L_s + 600$ [mm]
	L_s	2,900 [mm] for $H_o \leq 2,250$; 3,500 [mm] for $H_o > 2,250$ and $H_o \leq 2,850$; 4,500 [mm] for $H_o > 2,850$

So – opening width, ordering dimension. **Sj** – clear passage width after garage door installation. **Ho** – opening height, ordering dimension. **Hj** – clear passage height after garage door installation. **N** – minimum required lintel height. **W1** – minimum required side clearance. **W2** – minimum required side clearance. **E** – minimum garage depth with clearance under the ceiling. **Ls** – drive rail length. ⁽¹⁾ – Ordering dimension.

UniTherm

Sp tracks

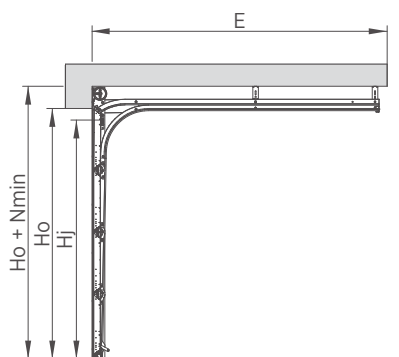


Torsion springs installed in the front by the lintel, garage door with double horizontal tracks

Minimum garage door dimensions: So = 2,000 [mm] and Ho = 1,800 [mm]

Opening height ⁽¹⁾ (Ho) in [mm] up to	Opening width ⁽¹⁾ (So) in [mm] up to																
	2,250	2,375	2,400	2,500	2,600	2,750	3,000	3,250	3,500	3,750	4,000	4,250	4,500	4,750	5,000	5,500	6,000
2,000																	
2,100																	
2,125																	
2,200																	
2,250																	
2,375																	
2,500																	
2,625																	
2,750																	
2,875																	
3,000																	
3,250																	
3,500																	

Installation dimensions



UniTherm		SSp
Sj		So - 40 [mm]
Hj	Manual	Ho - 280 [mm]
	Manual + catcher	Ho - 140 [mm]
	With a drive unit	Ho - 100 [mm]
W1min, W2min		110 [mm]
Emin	Manual	Ho + 400 [mm]
	With the MOTO drive	Ls + 300 [mm]
	With the METRO drive	Ls + 410 [mm]
	With the SPARK drive	Ls + 363 [mm]
Ls	With the MOTO drive	2,900 [mm] for Ho ≤ 2,250; 3,500 [mm] for Ho > 2,250 and Ho ≤ 2,850; 4,500 [mm] for Ho > 2,850 [mm]
	With the METRO drive	3,288 [mm] for Ho ≤ 2,250; 3,831 [mm] for Ho > 2,250 and Ho ≤ 2,750; 4,384 [mm] for Ho > 2,751 and Ho ≤ 3,250; 4,927 [mm] for Ho > 3,251 [mm]
	With the SPARK drive	

Minimum lintel height

Standard garage door height [mm]	Nmin [mm]	
	Manual	With the MOTO, METRO, SPARK drive unit
2,000	200	200
2,100	200	200
2,125	200	200
2,200	220	220
2,250	200	200
2,375	200	200
2,500	200	200
Custom garage door height	200	200

So - opening width, ordering dimension. Sj - clear passage width after garage door installation. Ho - opening height, ordering dimension. Hj - clear passage height after garage door installation. N - minimum required lintel height. W1 - minimum required side clearance. W2 - minimum required side clearance. E - minimum garage depth with clearance under the ceiling. Ls - drive rail length. ⁽¹⁾ - Ordering dimension.

UniTherm

St tracks

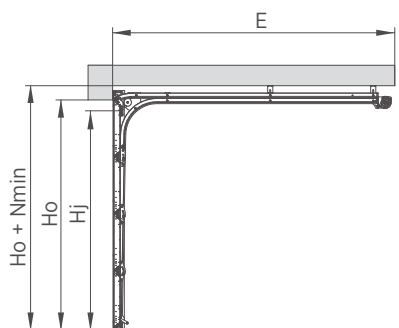


Torsion springs installed at the end of horizontal tracks, garage door with double horizontal tracks

Minimum garage door dimensions: So = 2,000 [mm] and Ho = 1,800 [mm]

Opening height ⁽¹⁾ (Ho) in [mm] up to	Opening width ⁽¹⁾ (So) in [mm] up to															
	2,250	2,375	2,400	2,500	2,600	2,750	3,000	3,250	3,500	3,750	4,000	4,250	4,500	4,750	5,000	5,500
2,000																
2,100																
2,125																
2,200																
2,250																
2,375																
2,500																
2,625																
2,750																
2,875																
3,000																

Installation dimensions



UniTherm		Sst
Sj		So - 40 [mm]
Hj	Manual	Ho - 190 [mm]
	Manual + catcher	Ho - 140 [mm]
	With a drive unit	Ho - 140 [mm]
W1min, W2min		110 [mm]
Emin	Manual	Ho + 750 [mm]
	With the MOTO drive	Ls + 300 [mm]
	With the METRO drive	Ls + 410 [mm]
	With the SPARK drive	Ls + 363 [mm]
Ls	With the MOTO drive	2,900 [mm] for Ho ≤ 2,250; 3,500 [mm] for Ho > 2,250 and Ho ≤ 2,850; 4,500 [mm] for Ho > 2,850 [mm]
	With the METRO drive	
	With the SPARK drive	

Minimum lintel height

Standard garage door height [mm]	Nmin [mm]			
	Manual	With the MOTO drive	With the METRO drive	With the SPARK drive
2,000	105	140	140	150
2,100	105	140	140	150
2,125	105	140	140	150
2,200	115	150	150	160
2,250	105	140	140	150
2,375	105	140	140	150
2,500	105	140	140	150
Custom garage door height	105	140	140	150

So - opening width, ordering dimension. **Sj** - clear passage width after garage door installation. **Ho** - opening height, ordering dimension. **Hj** - clear passage height after garage door installation. **N** - minimum required lintel height. **W1** - minimum required side clearance. **W2** - minimum required side clearance. **E** - minimum garage depth with clearance under the ceiling. **Ls** - drive rail length. ⁽¹⁾ - Ordering dimension.

UniTherm

Sj tracks

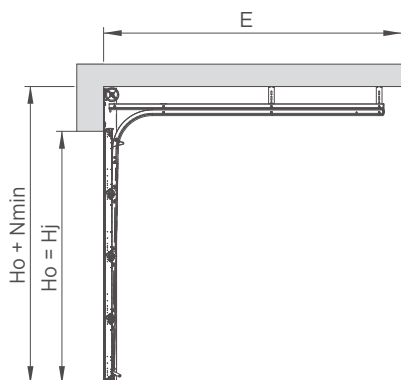


Torsion springs installed in the front by the lintel, garage door with double horizontal tracks (active and passive reinforcing track)

Minimum garage door dimensions: So = 2,000 [mm] and Ho = 1,800 [mm]

Opening height ⁽¹⁾ (Ho) in [mm] up to	Opening width ⁽¹⁾ (So) in [mm] up to															
	2,250	2,375	2,400	2,500	2,600	2,750	3,000	3,250	3,500	3,750	4,000	4,250	4,500	4,750	5,000	5,500
2,000																
2,100																
2,125																
2,200																
2,250																
2,375																
2,500																
2,625																
2,750																
2,875																
3,000																
3,250																
3,500																

Installation dimensions



Minimum lintel height

UniTherm		SSj
Sj		So - 40 [mm]
Hj	Manual	—
	Manual + catcher	Ho
	With a drive unit	Ho
W1min, W2min		110 [mm]
Emin	Manual	Ho + 400 [mm]
	With the MOTO drive	Ls + 300 [mm]
	With the METRO drive	Ls + 410 [mm]
	With the SPARK drive	Ls + 363 [mm]
Ls	With the MOTO drive	2,900 [mm] for Ho ≤ 2,250; 3,500 [mm] for Ho > 2,250 and Ho ≤ 2,850; 4,500 [mm] for Ho > 2,850 [mm]
	With the METRO drive	
	With the SPARK drive	3,288 [mm] for Ho ≤ 2,250; 3,831 [mm] for Ho > 2,250 and Ho ≤ 2,750; 4,384 [mm] for Ho > 2,751 and Ho ≤ 3,250; 4,927 [mm] for Ho > 3,251 [mm]

Standard garage door height [mm]	Nmin [mm]	
	Manual	With the MOTO, METRO, SPARK drive unit
2,000	400	400
2,100	400	400
2,125	400	400
2,200	410	410
2,250	400	400
2,375	400	400
2,500	400	400
Custom garage door height	400	400

So - opening width, ordering dimension. Sj - clear passage width after garage door installation. Ho - opening height, ordering dimension. Hj - clear passage height after garage door installation. N - minimum required lintel height. W1 - minimum required side clearance. W2 - minimum required side clearance. E - minimum garage depth with clearance under the ceiling. Ls - drive rail length. ⁽¹⁾ - Ordering dimension.

PRIME

Sp tracks

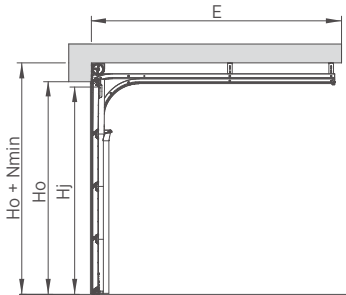


Torsion springs installed in the front by the lintel, garage door with double horizontal tracks

Minimum garage door dimensions: So = 2,000 [mm] and Ho = 1,900 [mm]

Opening height ⁽¹⁾ (Ho) in [mm] up to	Opening width ⁽¹⁾ (So) in [mm] up to																
	2,250	2,375	2,400	2,500	2,600	2,750	3,000	3,250	3,500	3,750	4,000	4,250	4,500	4,750	5,000	5,500	6,000
2,000																	
2,100																	
2,125																	
2,200																	
2,250																	
2,375																	
2,500																	
2,625																	
2,750																	
2,875																	
3,000																	

Installation dimensions



PRIME		
Sj		So - 40 [mm]
Hj		Ho - 100 [mm]
Nmin		200 [mm] ⁽²⁾
W1min, W2min		160 [mm]
Emin	METRO	Ls + 410 [mm]
	SPARK	Ls + 363 [mm]
Ls	METRO	2,900 [mm] or 3,500 [mm]
	SPARK	3,288 [mm] for Ho ≤ 2,250; 3,831 [mm] for Ho > 2,250 and Ho ≤ 2,750; 4,384 [mm] for Ho > 2,751

So - opening width, ordering dimension. **Sj** - clear passage width after garage door installation **Ho** - opening height, ordering dimension. **Hj** - clear passage height after garage door installation. **N** - minimum required lintel height.

W1 - minimum required side clearance. **W2** - minimum required side clearance. **E** - minimum garage depth with clearance under the ceiling. **Ls** - drive rail length.

⁽¹⁾ - Ordering dimension. ⁽²⁾ - For garage door height 2,200 [mm] Nmin is 220 [mm].

Let us inspire you
in your search for new solutions!



Apart from sectional garage doors, WIŚNIEWSKI also offers other garage door solutions: roller, up and over, and double-leaf garage doors.

This diversity is our response to the requirements of our customers. Let us surprise you with the multitude of options.

WIŚNIEWSKI. Gates, windows, doors, fences.



Roller doors.

A perfect combination
of form and function.

Comfort and convenience become standard in roller doors. All roller doors feature a drive unit. The door curtain is wound on the winding shaft concealed in the box, which helps save space under the ceiling.



SAFETY

Reliable and safe **roller doors**

- Two profile heights to choose from: 77 and 100 mm.
- Bottom cellular gasket, brush seals in the tracks, as well as a gasket screwed to the lintel provide good thermal insulation.
- Distance brackets ensure proper clearance between the profiles when the door curtain is wound to allow quiet operation of the door and to extend the life of the panels.

Crank output through a wall

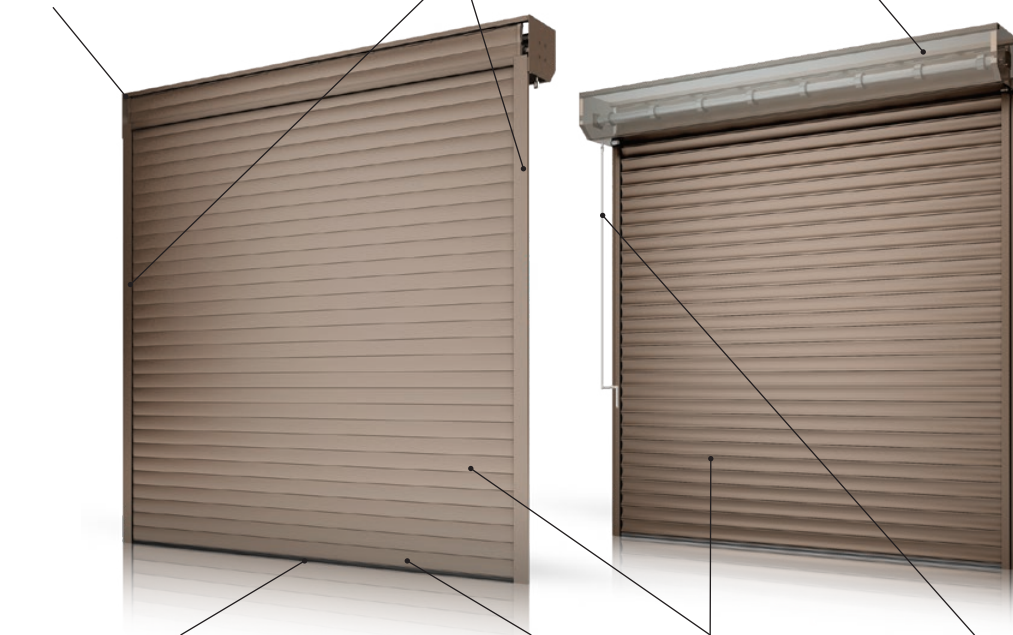
– if no other entrance is available to the room where the roller door is installed, an option which allows the crank to be output through the lintel to the outside of the entrance opening should be ordered.

Aluminium tracks

(without a thermal break) are fixed inside the room along the side edges of the opening. They are fitted with brush gaskets and slides.

Curtain lock

in the BR-77s and BR-77E doors prevents the curtain from being lifted from the outside.



Safety of use is ensured by the **safety edge**. If a curtain collides with an obstacle, it retracts to an open position.

The door curtain is fitted with a **reinforced aluminium bottom profile**, which increases the rigidity of the curtain.

Two types of light **aluminium profiles** – (100 mm and 77 mm), infilled with freon-free polyurethane foam.

Emergency opening of the door from the inside is possible **thanks to the emergency opening crank**.

Available **versions**



BR-77s | BR-77E



BR-77s | BR-77E (example glazing)



BR-77s | BR-77E with a ventilated profile

Double-leaf doors.

A simple and proven solution.

Double-leaf doors are the most economical closure system for a garage. Simple and proven solutions guarantee a low price and reliable operation.



SAFETY

Functionality and safety of double-leaf doors

- The opening frame and the leaf are made of galvanized steel sections without a thermal break.
- The leaf is infilled with galvanized steel sheet.
- The opening frame elements are joined with screwed connections.

Self-latching bolts

are installed in four points (in the upper and lower section of the leaf), and prevent the door from being opened by unauthorized persons.

Hinge limiter prevents the leaf from being prised open.

Restrictor

limits the door movement and prevents it from being opened excessively. The standard opening angle is 98°, and the leaf can optionally be opened to 140°.



Foot prevents an open door from inadvertently closing.

A door in a thermally insulated version is available for an improved thermal insulation of your garage.

Screwed connections ensure durability of the entire structure comprised of galvanized steel sections.

Available versions



Vertical low



Design 1 – horizontal low



Design 2 – horizontal high



Design 4 – vertical high



Design 6 – slanted “SV”



Design 7 – slanted “SA”



Design H – horizontal high



Design 8 – horizontal low – shutter

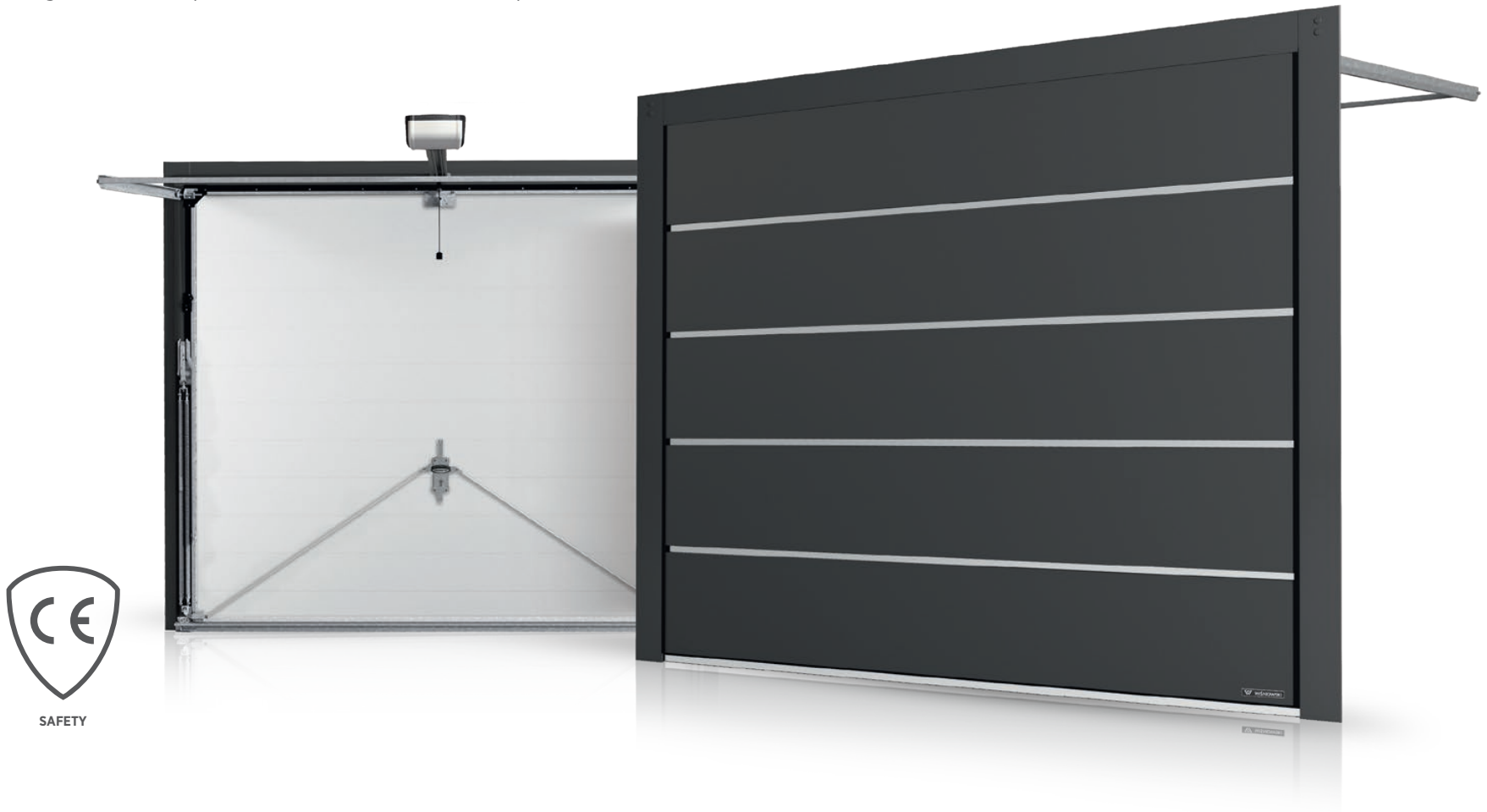


Design 9 – horizontal high – shutter

Up and over doors.

A perfect classic.

Up and over doors are one of the most popular doors in the market. Their simple structure as well as straightforward and proven mechanics ensure reliable operation.



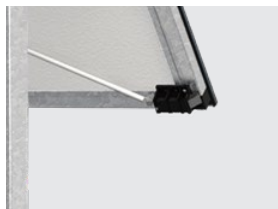
Features



Galvanized horizontal tracks and crosspiece



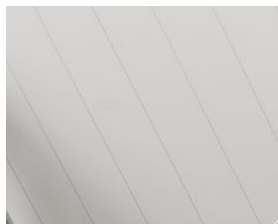
Opening frame
made of galvanized box sections



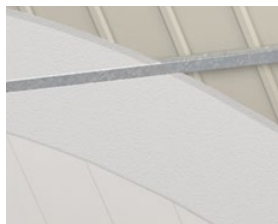
Door leaf bolt



Lock with a lock cylinder
bolting the door on both sides



PVC panel finish,
white inside



Extruded polystyrene thermal insulation



Door leaf
made of galvanized steel
sheet with a polyester coating



Tension spring system
responsible for balancing
out the door leaf weight

Available versions



Vertical low



Model 1
Horizontal low



Model 2
Horizontal high



Model 4
Vertical high



Model 5
Vertical high with a strip



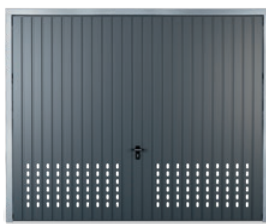
Model 3
Horizontal high with a strip



Model 6



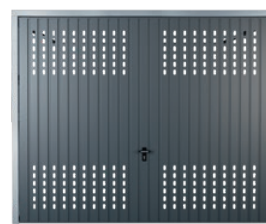
Model 7



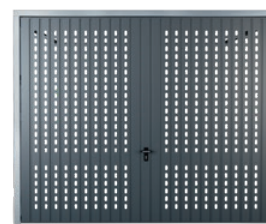
Model 20



Model 30



Model 40



Model 50



Model 8
Horizontal low - shutter



Model 9
Horizontal high - shutter



V pattern
Vertical high



H pattern
Horizontal high

It's great when everything **goes** **together perfectly...**

because harmony is the highest form of beauty. Choose your **garage door, windows,** and **shutters,** as well as **doors** and **fence** in the Home Inclusive™ system, which will create a matching set in terms of design and colour. Highlight this harmony with the smartCONNECTED smart control function and meet perfection that will never go out of fashion. A matching set of joinery and fence? From a single manufacturer in uniform design – because it is great when all the elements harmonize with your dreams, your home, and one another.



LET US INSPIRE YOU WITH OUR NEW HOME INCLUSIVE COLLECTION FEATURING 16 UNIQ

HI EARTH





HI QUARTZ GREY



ON

HI ANTHRACITE



HI DEEP GREEN



UE COLOURS!

HI STONE



HI STEEL



HI RUBY





WIŚNIEWSKI

GATES | WINDOWS | DOORS | FENCES



DISCOVER
MORE...



www.wisniowski.com

The products shown in the photographic material often feature special equipment and do not always correspond to their standard versions • This brochure does not constitute an offer within the meaning of the Polish Civil Code. • The manufacturer reserves the right to introduce changes without notice. • NOTE: The colours shown in this brochure are for reference only • All rights reserved • Copying and use, in part or in full, is prohibited without the consent of WIŚNIEWSKI Sp. z o.o. S.K.A. • 05/26/EN